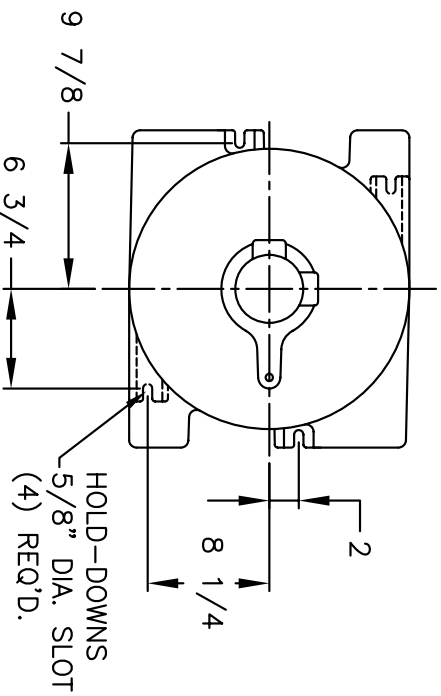


THE VIEW OF HOLD-DOWN PADS



SHIPCO®
PUMPS

MANUFACTURED BY

SHIPPENSBURG PUMP COMPANY INC.
P.O. Box 279 Shippensburg, Pa. 17257
PHONE 717 532-7321 / FAX 717 532-7704
WWW.SHIPCO-PUMPS.COM

SHIPCO® IS A REGISTERED TRADEMARK OF SHIPPENSBURG PUMP CO., INC.

TYPE BV
Vacuum Receiver; Up to 18 CFM

DRAWN BY	DATE	REVISION
S.A.D.	11/09	.7

DIMENSION PRINT **40005**

Section BV Page 0400