

DIAGRAM "A"

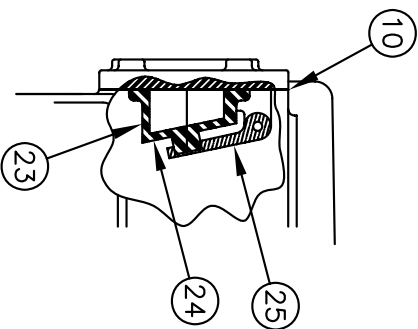
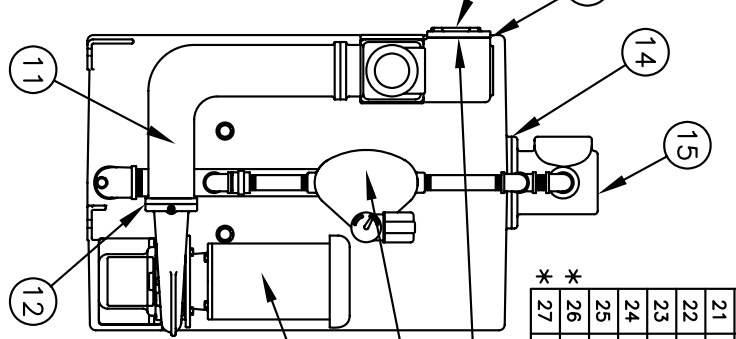
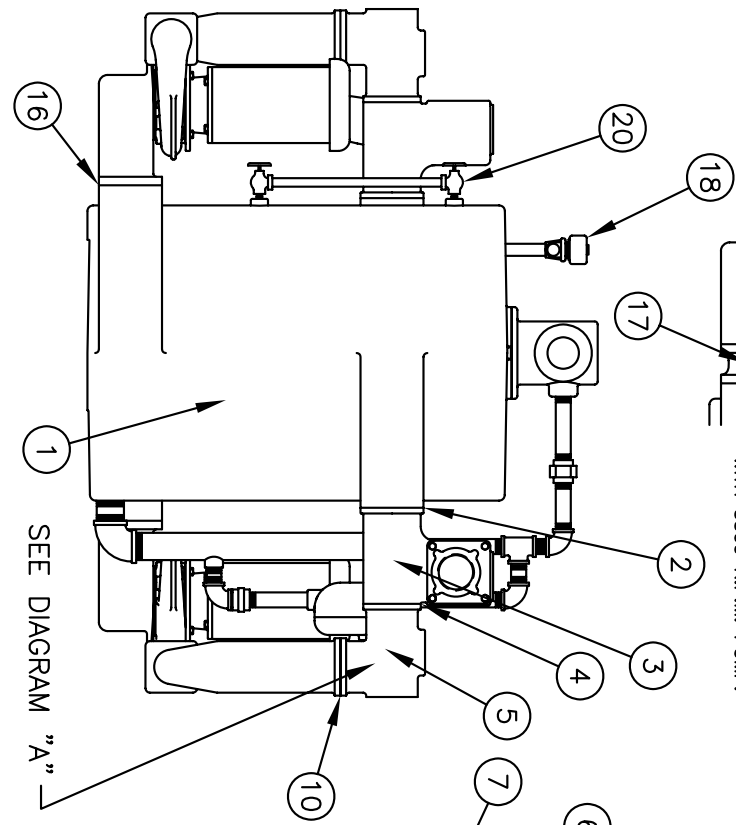


DIAGRAM "B"



NO.	DESCRIPTION	PUMP /3500		PUMP /1750	
		QTY	UNIT	QTY	UNIT
1	RECEIVER (CAST IRON)	1	1	1	1
2	GASKET (STEEL)	1	1	1	1
3	GASKET (NOZZLE BODY)	1	1	1	1
4	NOZZLE BODY	1	1	1	1
5	GASKET (VAC CHAM. NOZ.)	1	1	1	1
6	MAINFOLD	1	1	1	1
7	GASKET (CHECK VALVE)	1	1	1	1
8	CHECK VALVE MFG. FLANGE	1	1	1	1
9	GASKET (COVER PLATE)	1	1	1	1
10	COVER PLATE	1	1	1	1
11	GASKET (VAC CHAM. NOZ.)	1	1	1	1
12	ELBOW	1	1	1	1
13	GASKET (PUMP DISCHARGE)	1	1	1	1
14	PUMP	1	1	1	1
15	GASKET (AIR DOME)	1	1	1	1
16	AIR DOME	1	1	1	1
17	GASKET (SUCTION FLANGE)	2	4	2	2
18	SUCTION ADPT. FLANGE	1	2	N/A	-
19	SOLENOID VALVE	1	1	S8210B20	1
20	EXTERNAL FLOAT SWITCH	1	1	SDPS--00290	1
21	GAUGE GLASS	1	1	S30030020	1
22	EJECTOR	1	2	SDPV--00113	1
23	NOZZLE	1	2	SDPN--00175	1
24	CHECK VALVE BODY	1	2	SDPC--00112	1
25	CHECK VALVE FLAPPER	1	2	SDPC--00110	1
26	FLAPPER ARM	1	2	SDPF--00099	1
27	FLAPPER ARM	1	2	SDPF--00223	1
28	FLAPPER ARM	1	2	SDPF--00055	1
29	FLAPPER ARM	1	2	SDPF--00224	1

* DENOTES PARTS NOT SHOWN

SEE DIAGRAM "A"

SEE DIAGRAM "B"

SHIPCO®
SHIPPENSBURG PUMPS
 MANUFACTURED BY
 SHIPPENSBURG PUMP COMPANY INC.
 P.O. Box 279 Shippensburg, Pa. 17257
 PHONE 717 532-7321 / FAX 717 532-7704
 WWW.SHIPCO.PUMPS.COM

TYPE BV
 Vacuum Receiver; 19 to 52 CFM

DRAWN BY: M.E.R. DATE: 7/09 REGION: .1
 DIMENSION PRINT: 40006-1
 Section BV Page 0550