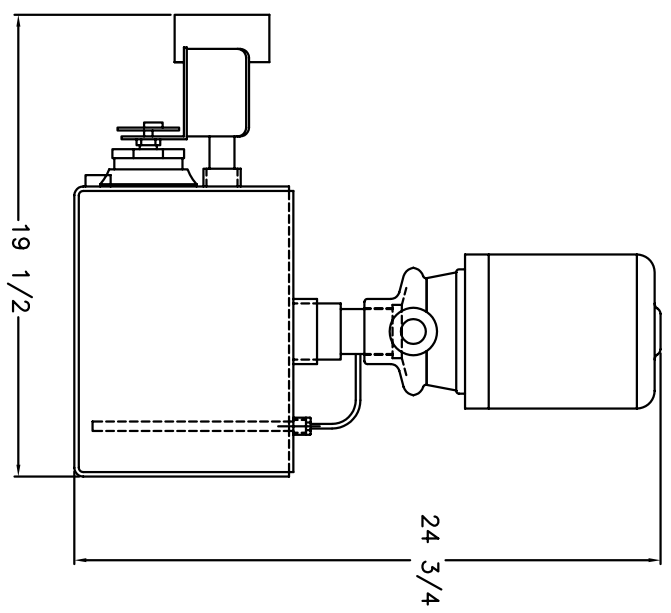
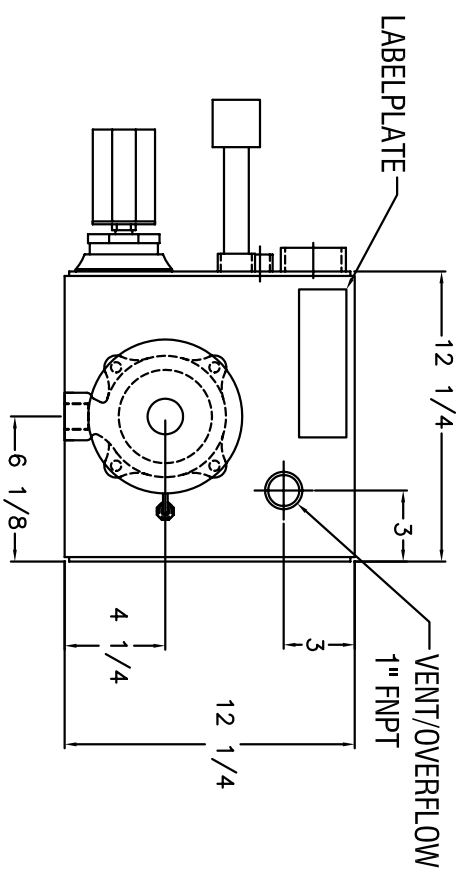
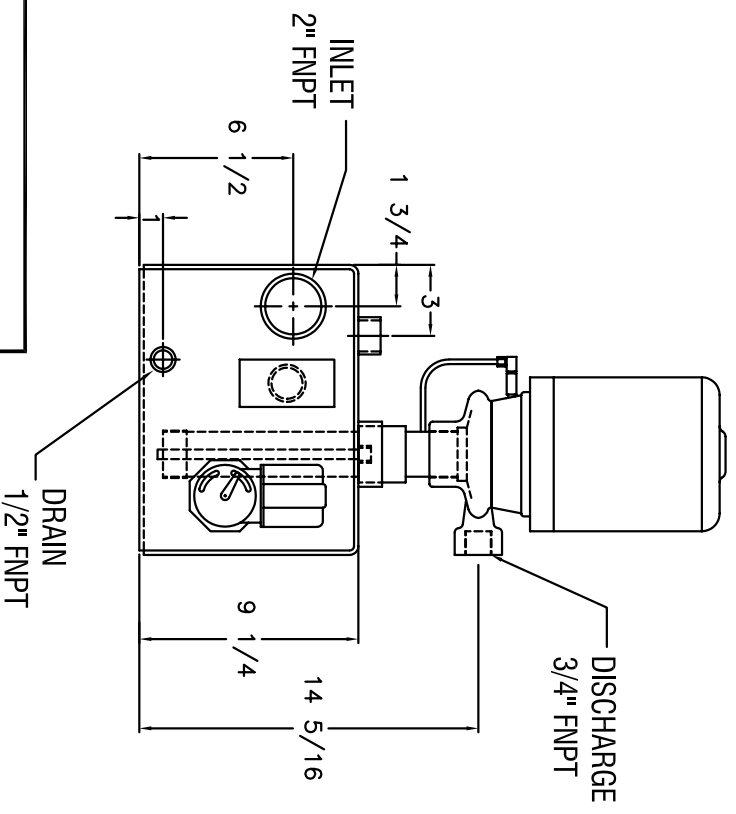


- DIMENSIONS FOR REFERENCE ONLY
- INSTALL ALL DRAIN PIPING FULL SIZE (MINIMUM SIZE) TO AIR GAP OR OPEN DRAIN
- ALL CONNECTING PIPING TO UNIT MUST BE SUPPORTED & ANCHORED. UNIT IS NOT DESIGNED TO SUPPORT PIPING WEIGHT.

↔ DENOTES WHERE SHIPCO PIPING ENDS AND CONTRACTOR PIPING BEGINS ↔



SHIPCO®
PUMPS

MANUFACTURED BY

SHIPPENSBURG PUMP COMPANY INC.
P.O. Box 279 Shippensburg, Pa. 17257
PHONE 717 532-7321 / FAX 717 532-7704
WWW.SHIPCO.PUMPS.COM

SHIPCO® IS A REGISTERED TRADEMARK OF SHIPPENSBURG PUMP CO., INC.

AC & ACH UNITS

DRAWN BY	DATE	REVISION
J. BROOKENS	1/11	0
DIMENSION PRINT		
AC & ACH UNITS		