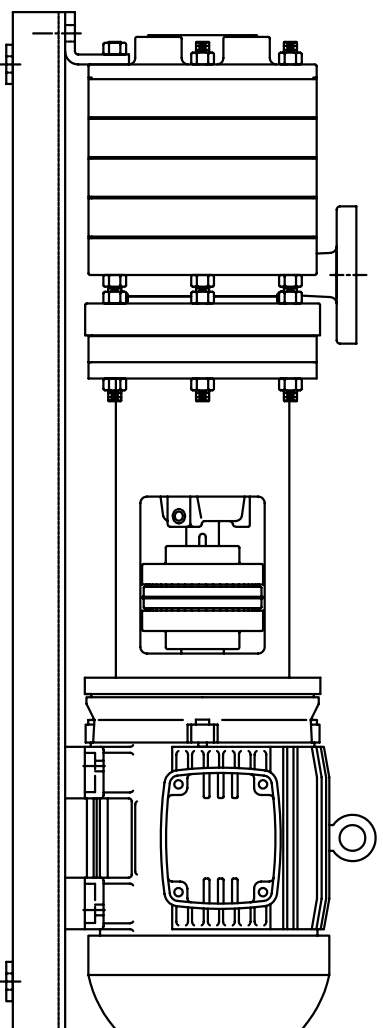


SECTIONAL VIEW OF PUMP

AWF Self Aligning Procedure

1. TC frame motor (having a concentric shouldered diameter) will insert into a machined concentric counterbored surface in the Shipco Flex Coupled Guard.
2. Shipco Flex Coupling Guard (with machined concentric surfaces) will in turn insert into the Flex Coupled Bearing Assembly (through the same procedure).
3. Shipco pump parts are all machined with the same procedure so to insure assembly of parts will maintain concentricity.
4. With this procedure the need for laser alignment of the Shipco Flex Coupled Bearing shaft to the TC frame motor shaft is no longer needed.



PUMP SHOWN ON BASE

SHIPCO®
SPUMPS

MANUFACTURED BY

SHIPPENSBURG PUMP COMPANY INC.

P.O. Box 279 Shippenburg, Pa. 17257

PHONE 717 532-7321 / FAX 717 532-7704

WWW.SHIPCO.PUMPS.COM

SHIPCO® IS A REGISTERED TRADEMARK OF SHIPPENSBURG PUMP CO., INC.

Shipco Pumps AWF Self Aligning Flex Coupled Shaft Procedure