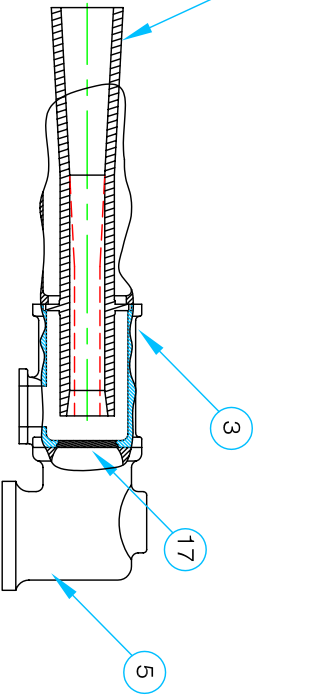
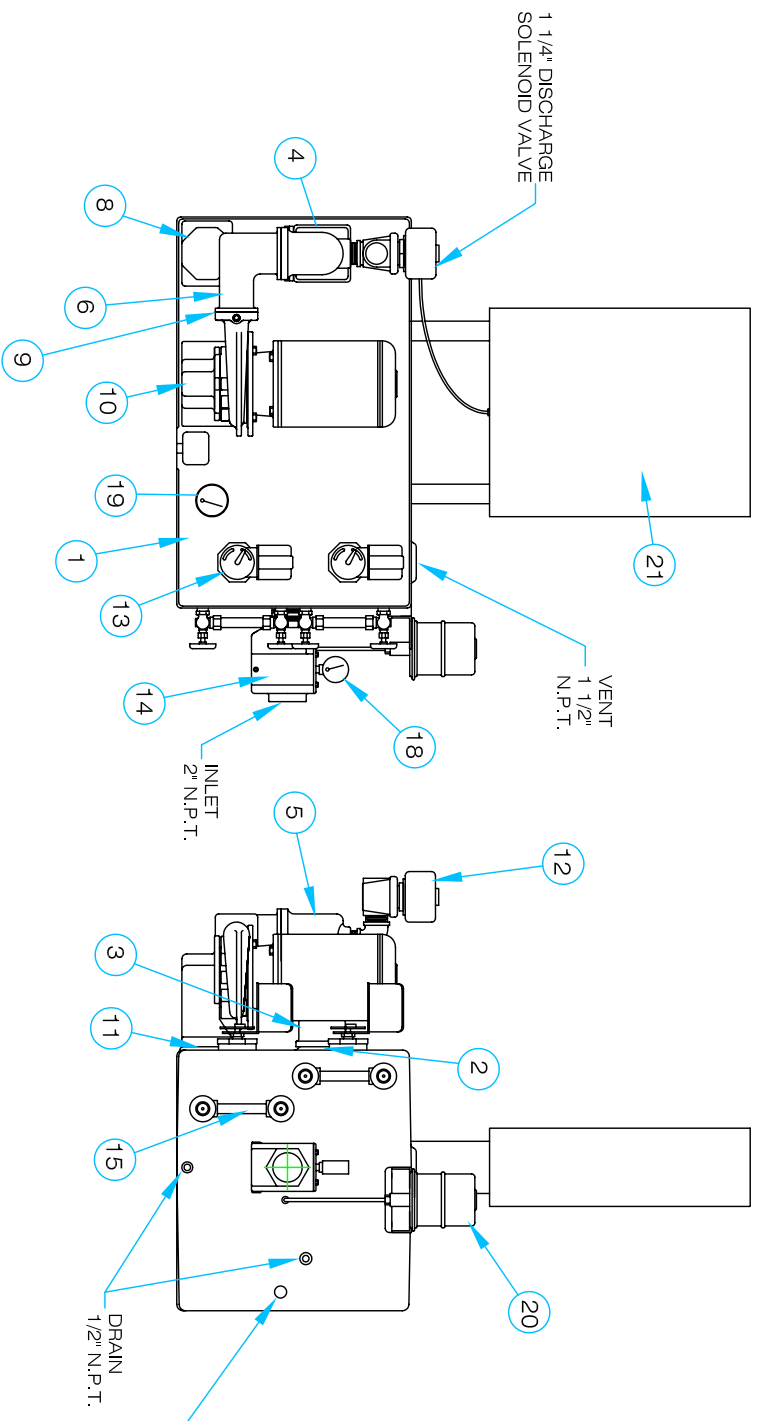


THESE PARTS ARE USED UP TO 15,000 EDR OVER 15,000 EDR USE THE FOLLOWING:  
 MANIFOLD PART: # MANIFLD-SDPV00369-B  
 DISCHARGE SOLENOID VALVE  
 PART: # SOLND-WTR-150-1-120-R-3



BRASS NOZZLE & EJECTOR DETAIL

PART LIST

NO.	DESCRIPTION	PART NUMBER	# REQD.
1	RECEIVER (CAST IRON)	RECEIVER-SDPV00165	1
1	RECEIVER (STEEL)	TK-LRV-05-20-SNG-025-B	1
2	GASKET (RECEIVER SIDE)	GASKET-SDPV003850	1
3	NOZZLE BODY	NZLEBDY-SDPV00200	1
4	GASKET (MANIFOLD SIDE)	GASKET-SDPV003835	1
5	MANIFOLD	MANIFLD-SDPV00369-A	1
6	DISCHARGE ELBOW	DSCHGELL-SDPV00205	1
7	CHECK VALVE S/A	CHECKVLE-SDPV00317	1
8	CHECK VALVE HOUSING	CHECKHSG-SDPV00204	1
9	GASKET (PUMP DISCHARGE)	GASKET-SDPV003831	1
10	PUMP		1
11	GASKET (SUCTION HOUSING)	GASKET-SDPV003830	1
12	SOLENOID VALVE	SOLND-WTR-125-1-120-R-3	1
13	FLOAT SWITCH	FTSW-1-SD-S9037HG36	2
14	BASKET STRAINER	BKSTRNR-SDPV00054	1
15	GAUGE GLASS	GGLS-VALVE-001-R	2
16	EJECTOR		1
17	BRASS NOZZLE	NZLEJEC-SDPN00157	1
18	COMPOUND GAUGE	CPD-00350-BM-01	1
19	DIAL THERMOMETER	THMTNK-D25R25-RR-02	1
20	VACUUM SWITCH	VCSW-1-F-S9016GVG1F	1
21	PANEL		1
22	SPACER FOR 129	SPRADPT-SDPV00356	1

\* DENOTES PARTS NOT SHOWN

3/4" N.P.T. EQUALIZING LINE

DRAIN 1/2" N.P.T.

INLET 2" N.P.T.

VENT 1 1/2" N.P.T.

1 1/4" DISCHARGE SOLENOID VALVE

**SHIPCO®**  
 SHIPCO PUMPS  
 MANUFACTURED BY  
 SHIPPENSBURG PUMP COMPANY INC.  
 P.O. Box 279 Shippenburg, Pa. 17257  
 PHONE 717 532-7321 / FAX 717 532-7704  
 WWW.SHIPCO-PUMPS.COM  
 SHIPCO® IS A REGISTERED TRADEMARK OF SHIPPENSBURG PUMP CO., INC.

**TYPE LRV OR LRV-S**  
 Cast Iron or Steel Simplex Receiver  
 Up To 20,000 EDR

DRAWN BY J. BROOKENS DATE 4/04 REVISION .8

40077-1

Section LRV Page 0625