

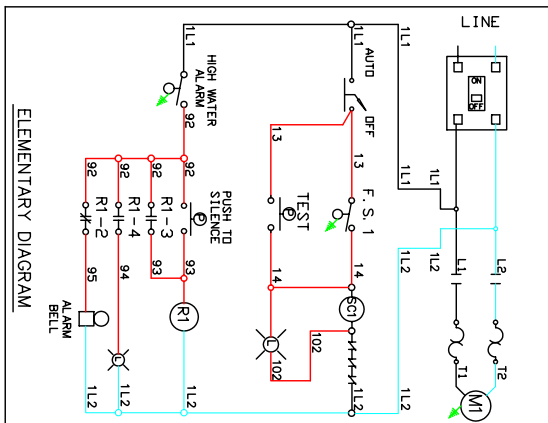
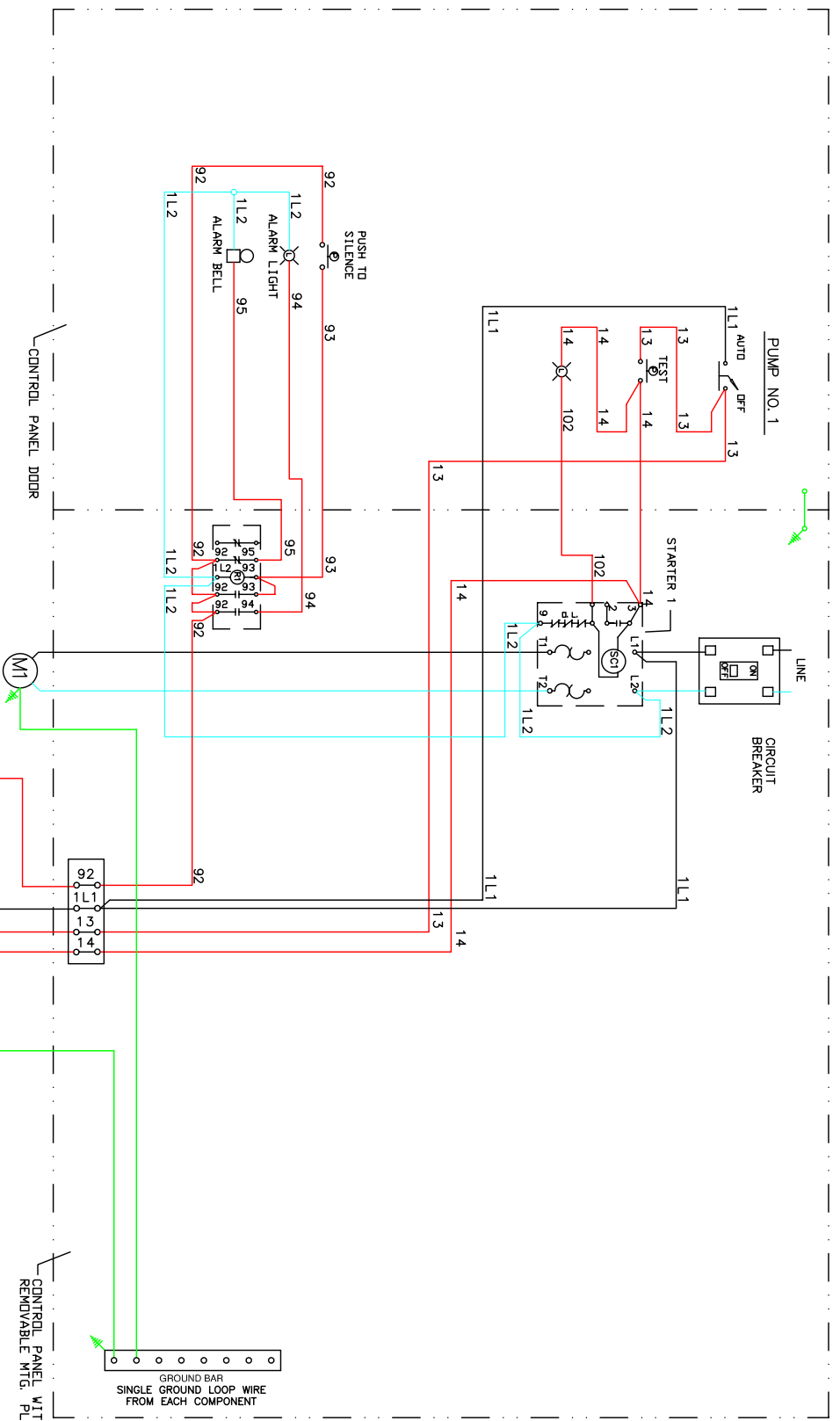
SHIPCO[®]
SPUMPS

MANUFACTURED BY

SHIPPENSBURG PUMP COMPANY INC.
P.O. Box 279 Shippensburg, Pa. 17257
PHONE 717 532-7321 / FAX 717 532-7704
WWW.SHIPCOMPUMPS.COM

SHIPCO[®] IS A REGISTERED TRADEMARK OF SHIPPENSBURG PUMP CO., INC.

USE WHITE WIRE WHERE LIGHT BLUE WIRE IS SHOWN



CONDENSATE PUMP
SIMPLEX

DRAWN BY	DATE	REVISION
S.R.K.	01/21/04	

Wiring Diagram No. 31000-A