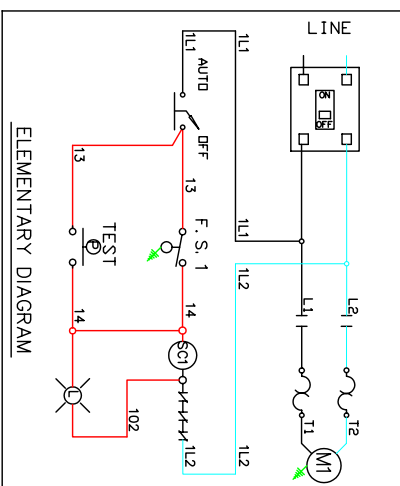
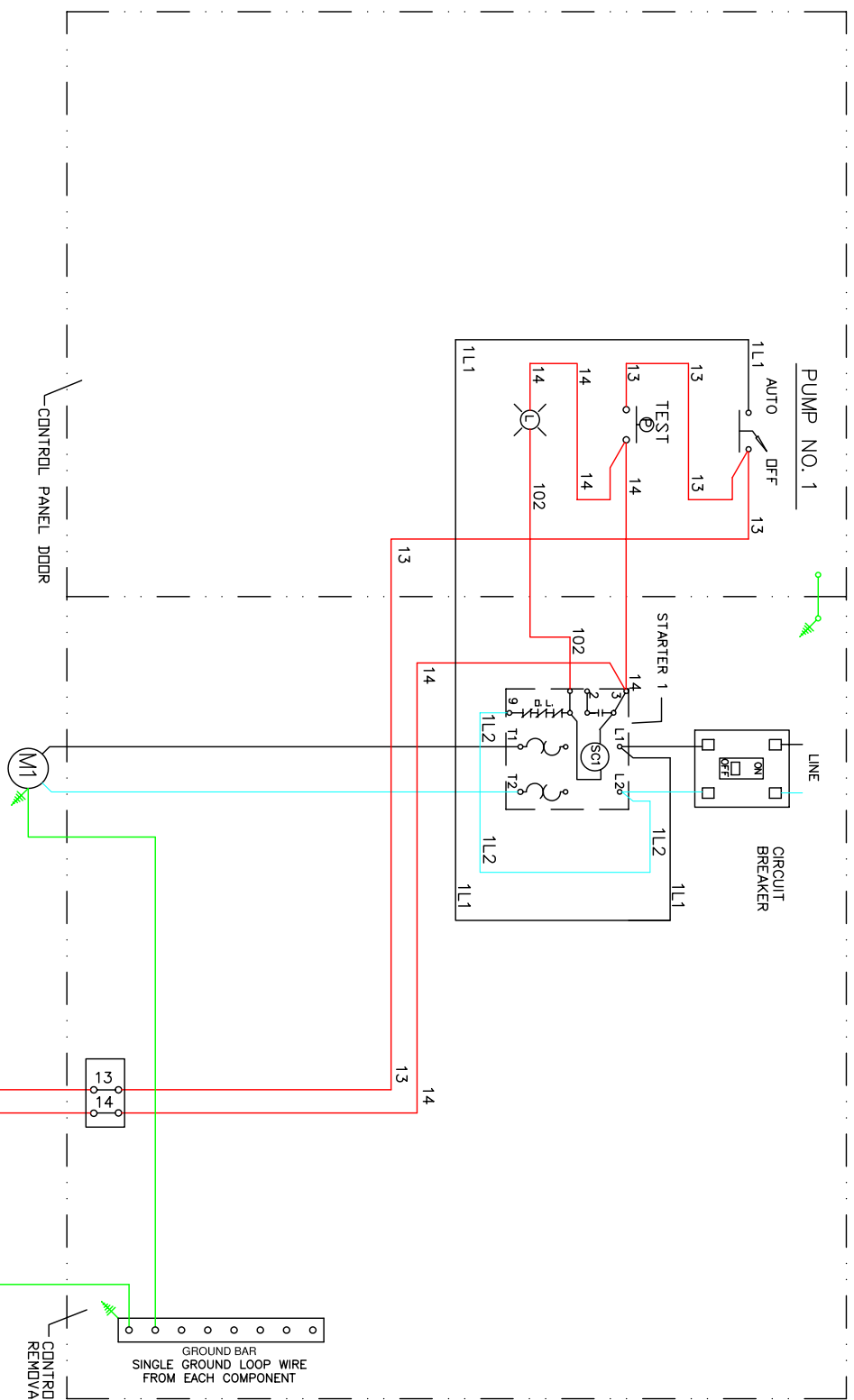


# SHIPCO® PUMPS

MANUFACTURED BY  
SHIPPENSBURG PUMP COMPANY INC.  
P.O. Box 279 Shippenburg, Pa. 17257  
PHONE 717 532-7321 / FAX 717 532-7704  
WWW.SHIPCO PUMPS.COM

SHIPCO® IS A REGISTERED TRADEMARK OF SHIPPENSBURG PUMP CO., INC.

USE WHITE WIRE WHERE LIGHT BLUE WIRE IS SHOWN



## CONDENSATE PUMP SIMPLEX

DRAWN BY	DATE	REVISION
S.A.D.	01/21/04	

Wiring Diagram No. 31000