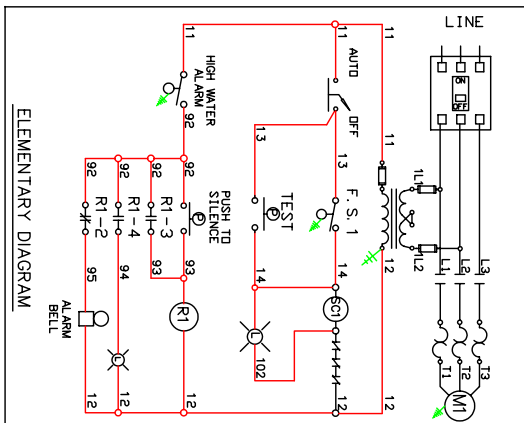
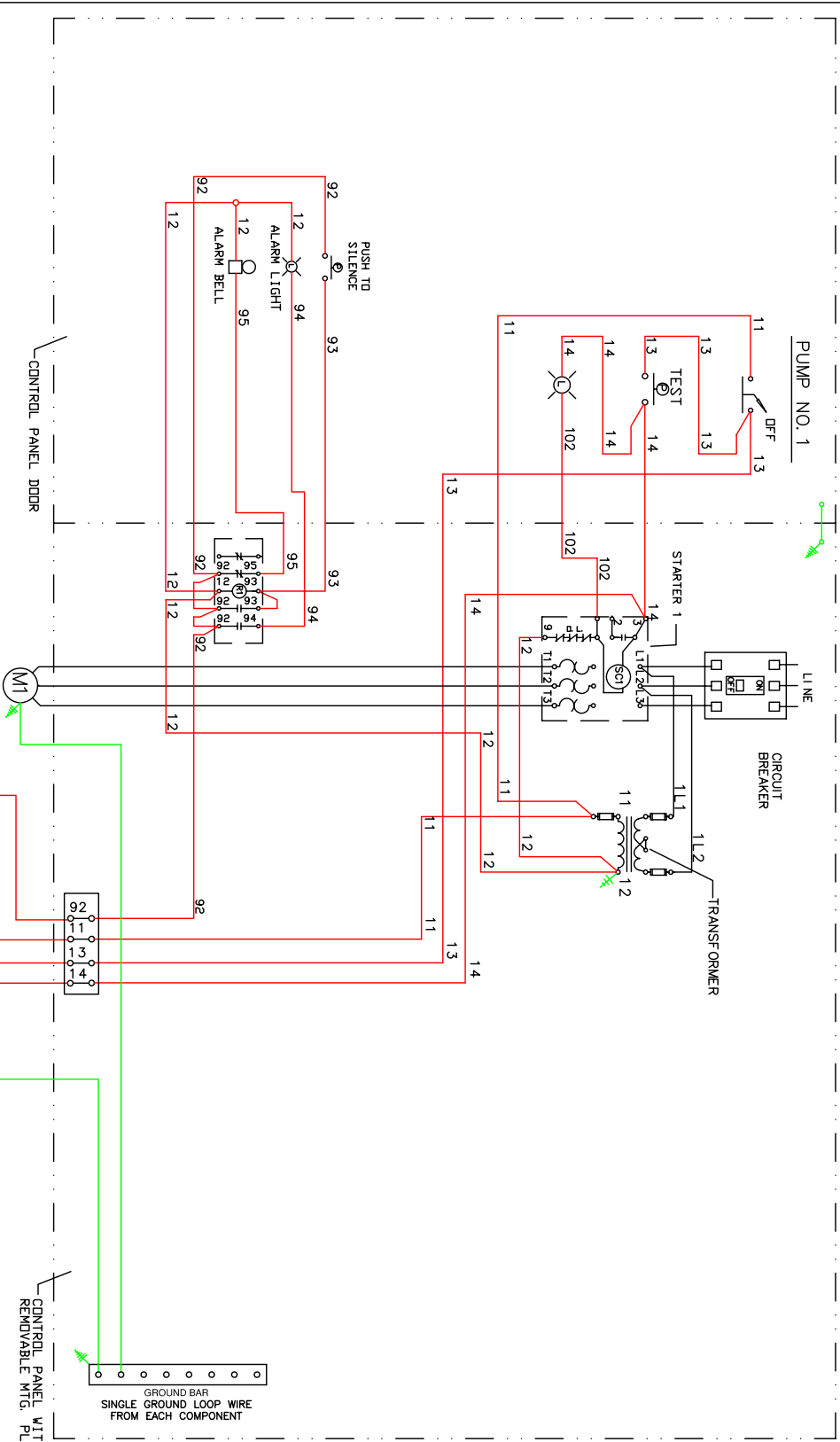




MANUFACTURED BY
 SHIPPENSBURG PUMP COMPANY INC.
 P.O. Box 279 Shippensburg, Pa. 17257
 PHONE 717 532-7321 / FAX 717 532-7704
 WWW:SHIPCOPUMPS.COM

SHIPCO® IS A REGISTERED TRADEMARK OF SHIPPENSBURG PUMP CO., INC.

FOR SINGLE PHASE DMIT
 COMPLETE L3 AND T3
 CIRCUITS



CONDENSATE PUMP
 SIMPLEX

DRAWN BY	DATE	REVISION
S.R.K.	01/21/04	

Wiring Diagram No. 31500-A