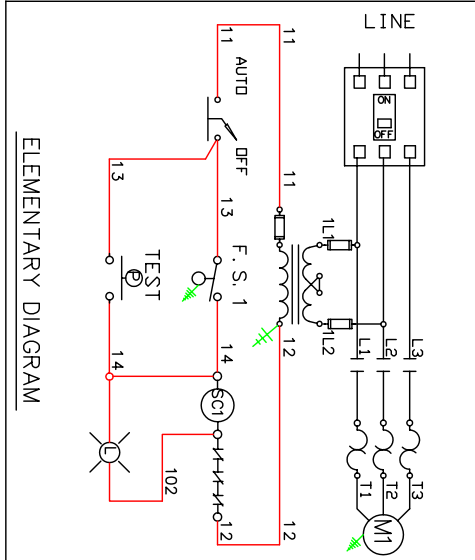
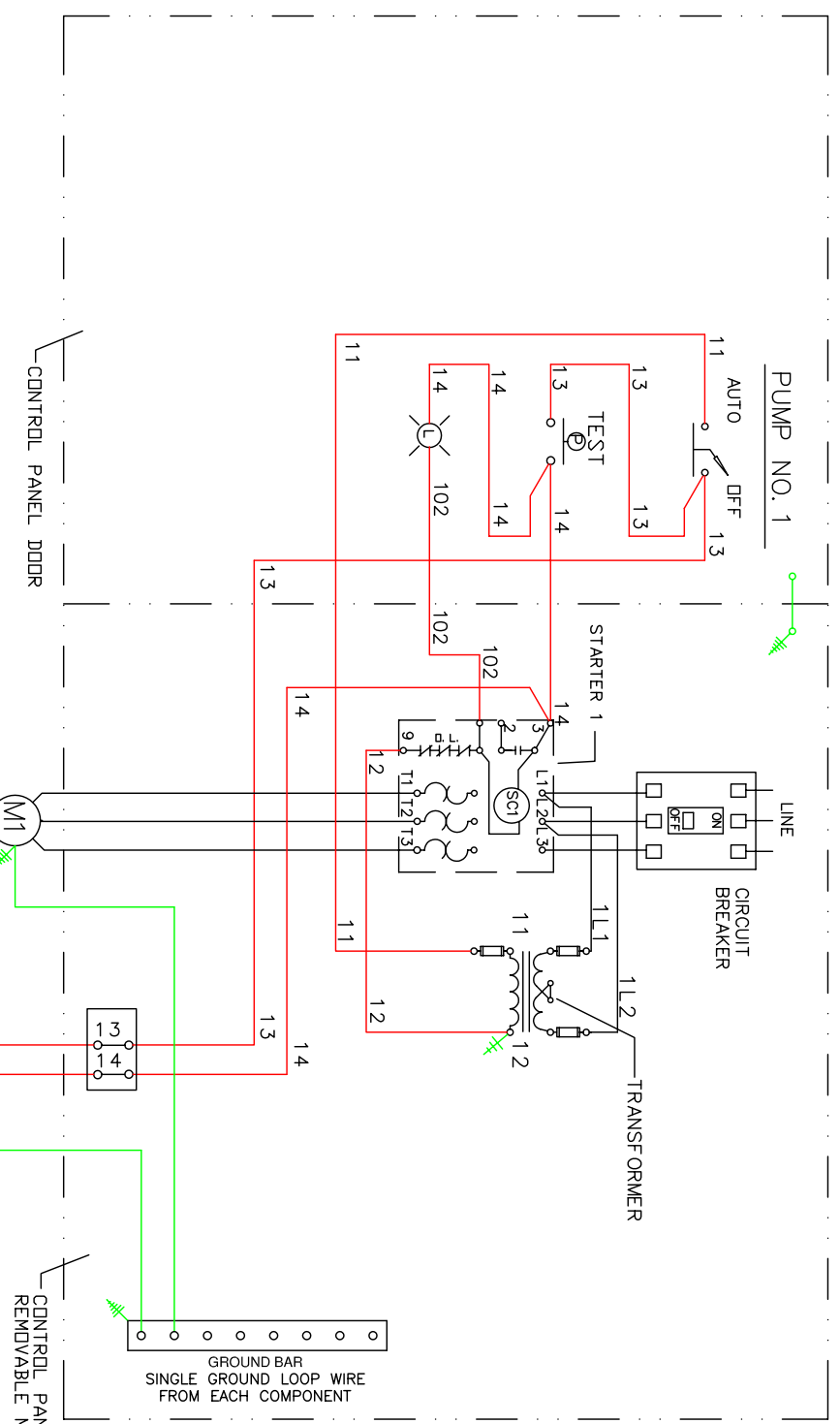


SHIPCO®
PUMPS
 MANUFACTURED BY
 SHIPPENSBURG PUMP COMPANY INC.
 P.O. Box 279 Shippensburg, Pa. 17257
 PHONE 717 532-7321 / FAX 717 532-7704
 WWW.SHIPCOPUMPS.COM
 SHIPCO® IS A REGISTERED TRADEMARK OF SHIPPENSBURG PUMP CO., INC.



FOR SINGLE PHASE DM1 T
 COMPLETE L3 AND T3
 CIRCUITS

CONDENSATE PUMP SIMPLEX		
DRAWN BY S.R.K.	DATE 01/21/04	REVISION
Wiring Diagram No. 31500		