

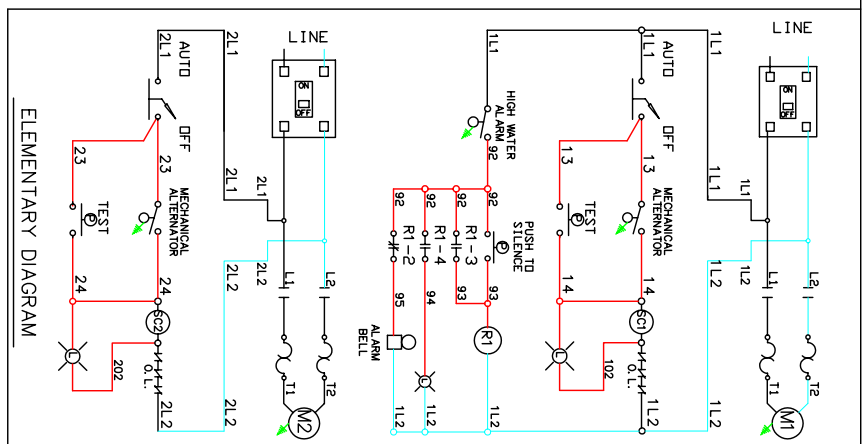
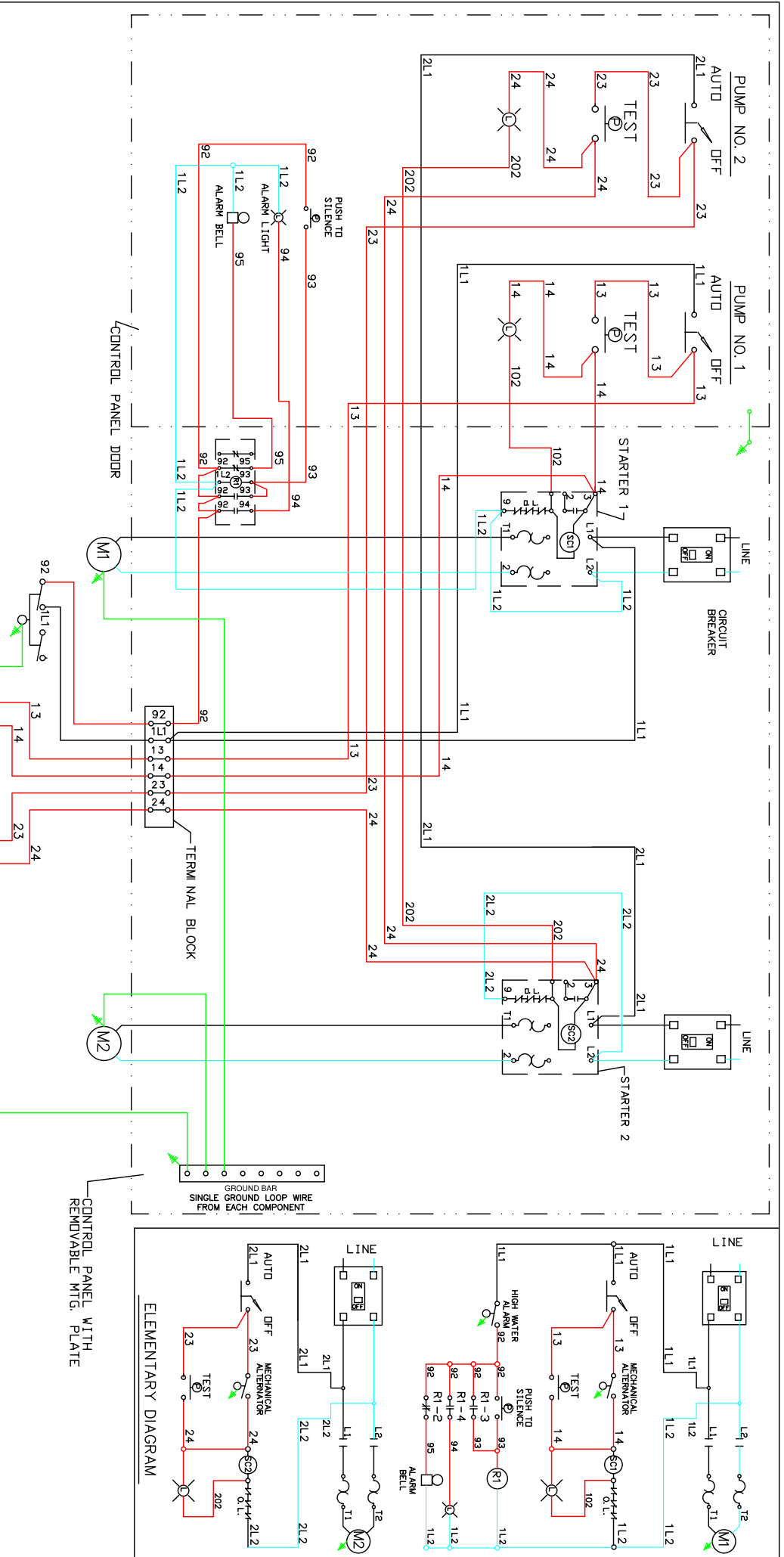
SHIPCO[®]
SPUMPS
 MANUFACTURED BY
 SHIPPENSBURG PUMP COMPANY INC.
 P.O. Box 279 Shippensburg, Pa. 17257
 PHONE 717 532-7321 / FAX 717 532-7704
 WWW.SHIPCO.PUMPS.COM
 SHIPCO[®] IS A REGISTERED TRADEMARK OF SHIPPENSBURG PUMP CO., INC.

USE WHITE WIRE WHERE LIGHT BLUE WIRE IS SHOWN

CONDENSATE PUMPS
 DUPLEX

DRAWN BY	DATE	REVISION
S.R.K.	01/21/04	

Wiring Diagram No. 32200-A



CONTROL PANEL WITH
 REMOVABLE MGT. PLATE