

# SHIPCO® PUMPS

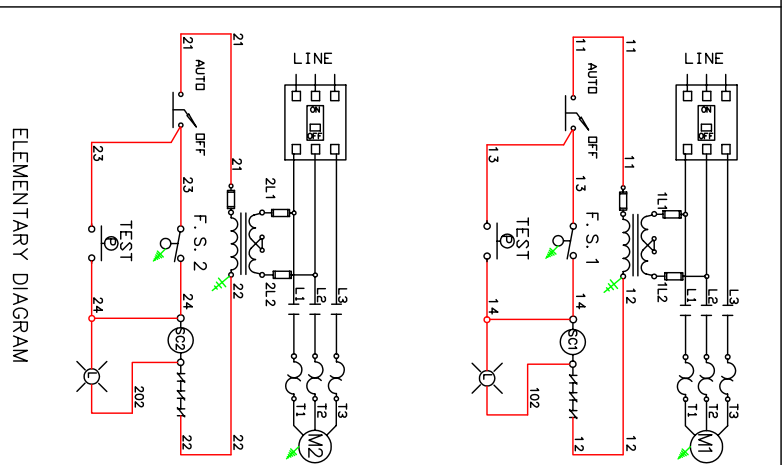
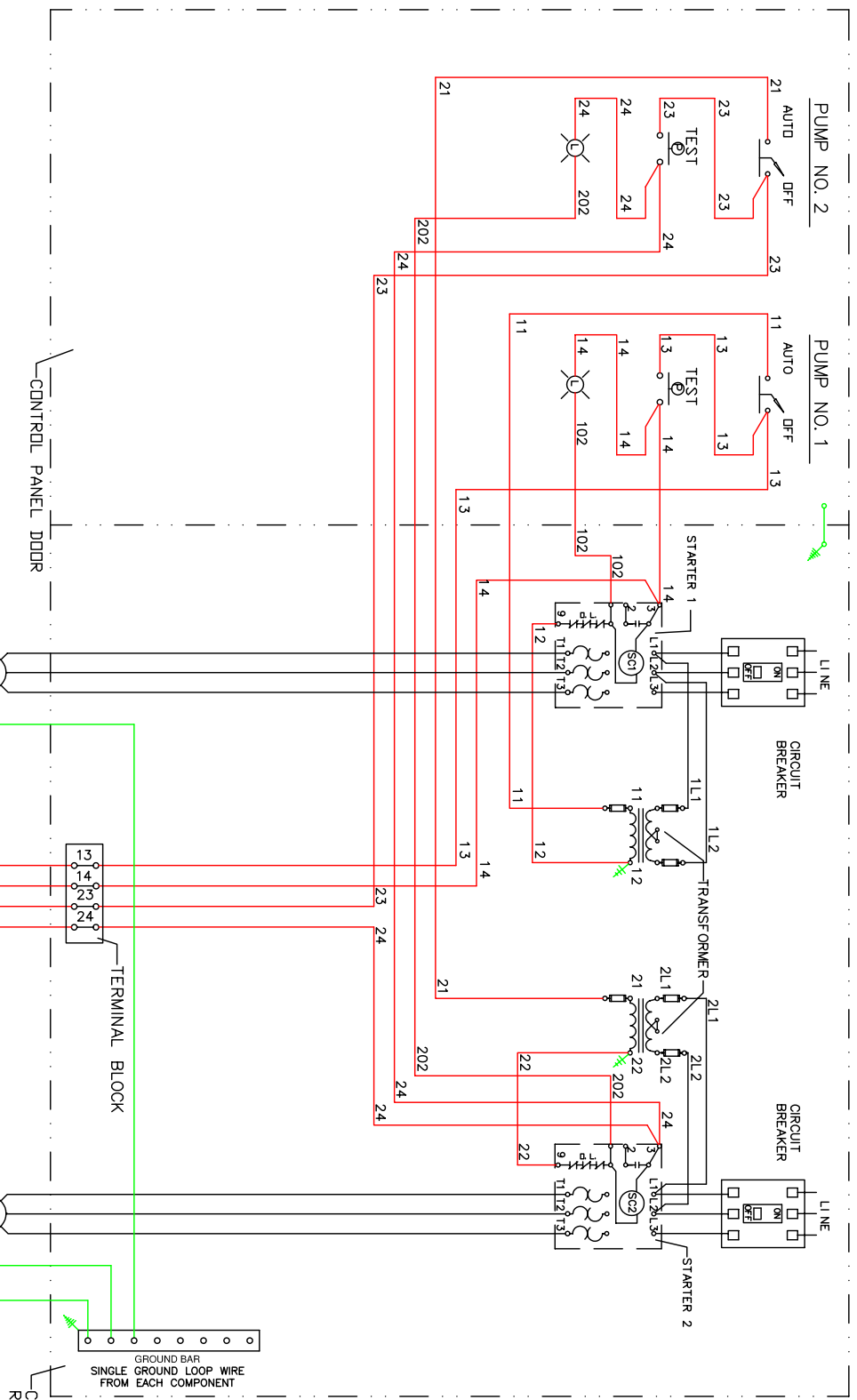
MANUFACTURED BY  
 SHIPPENSBURG PUMP COMPANY INC.  
 P.O. Box 279 Shippenburg, Pa. 17257  
 PHONE 717 532-7321 / FAX 717 532-7704  
 WWW.SHIPCO PUMPS.COM

SHIPCO® IS A REGISTERED TRADEMARK OF SHIPPENSBURG PUMP CO., INC.

FDR SINGLE PHASE DMIT  
 COMPLETE L3 AND T3  
 CIRCUITS

## CONDENSATE PUMP DUPLEX

DRAWN BY	DATE	REVISION
S.R.K.	01/21/04	
Wiring Diagram No. 32500		



CONTROL PANEL WITH  
 REMOVABLE MTG. PLATE

ELEMENTARY DIAGRAM