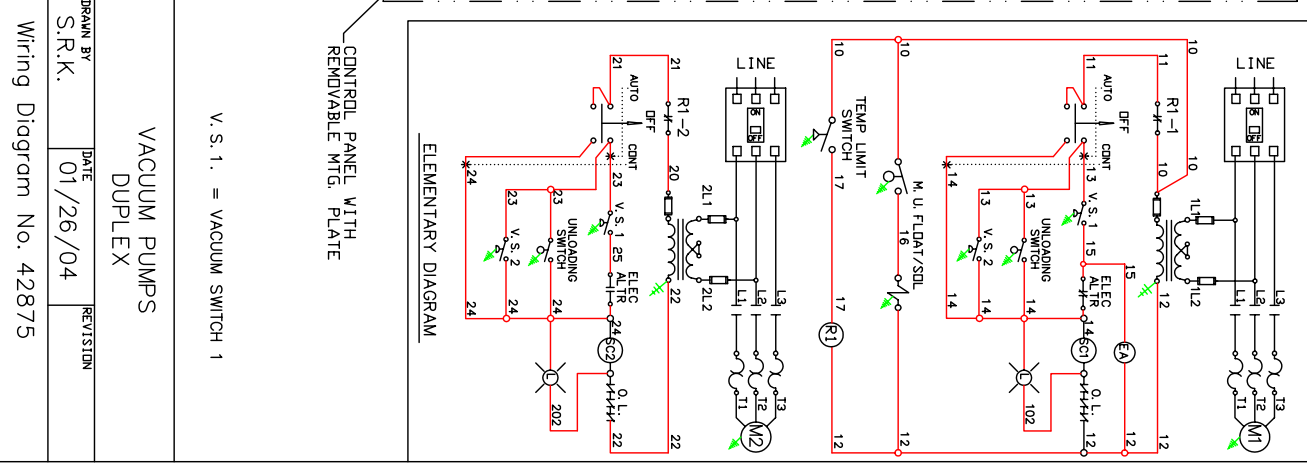
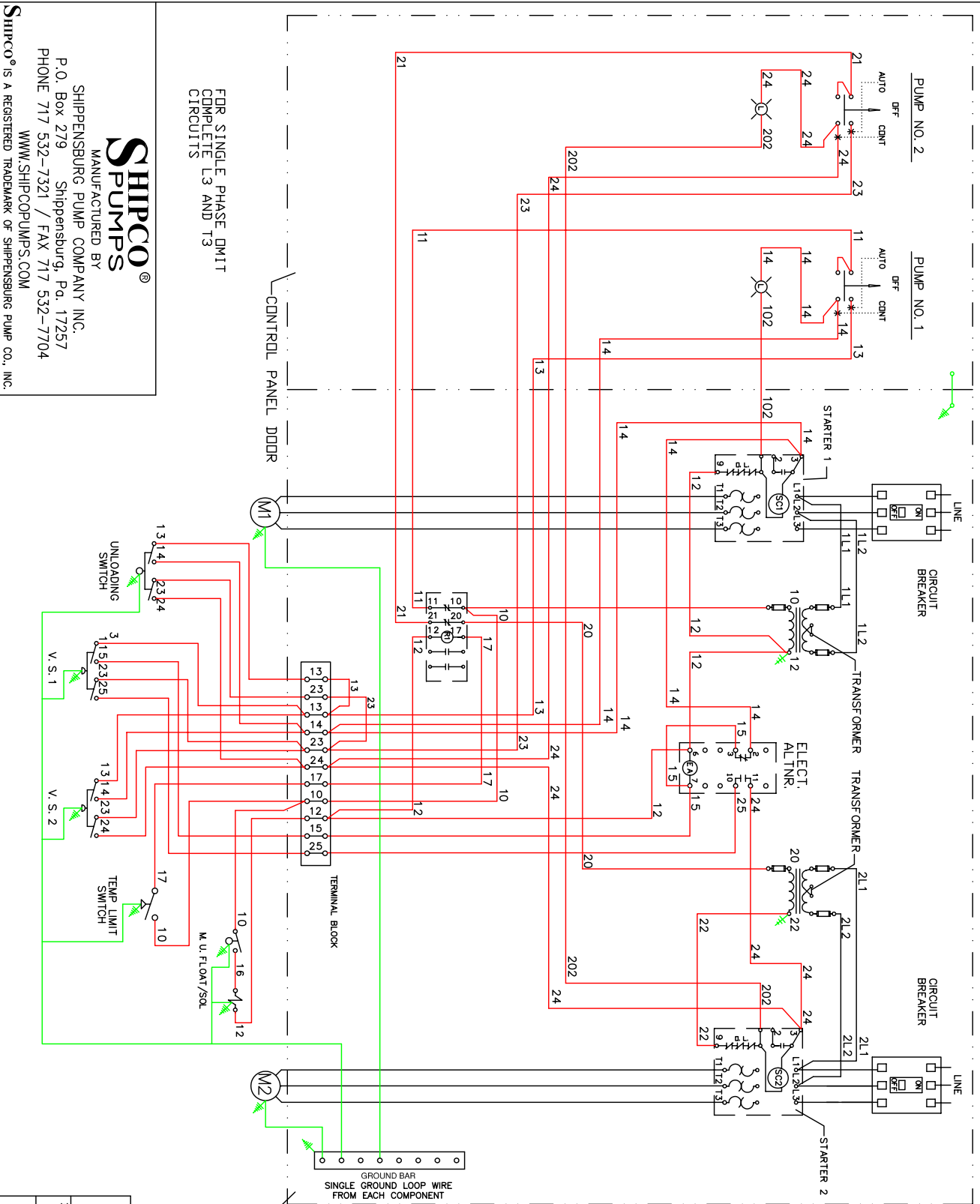


SHIPCO®
 MANUFACTURED BY
 SHIPPENSBURG PUMP COMPANY INC.
 P.O. Box 279 Shippenburg, Pa. 17257
 PHONE 717 532-7321 / FAX 717 532-7704
 WWW.SHIPCOPIUMPS.COM

SHIPCO® IS A REGISTERED TRADEMARK OF SHIPPENSBURG PUMP CO., INC.

FOR SINGLE PHASE DMIT
 COMPLETE L3 AND T3
 CIRCUITS



V.S. 1. = VACUUM SWITCH 1

CONTROL PANEL WITH
 REMOVABLE MFG. PLATE

VACUUM PUMPS DUPLEX		
DRAWN BY	DATE	REVISION
S.R.K.	01/26/04	
Wiring Diagram No. 42875		