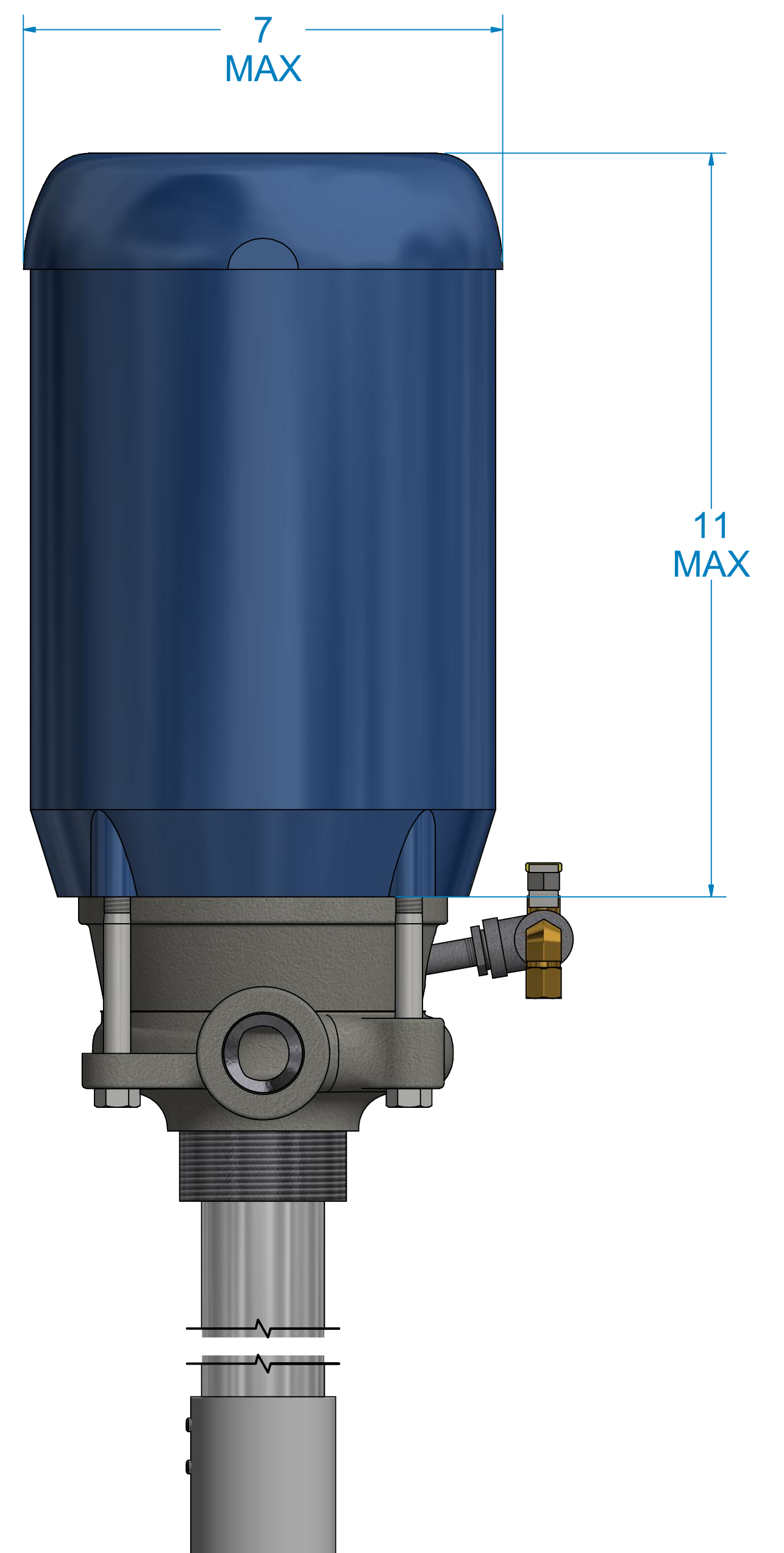
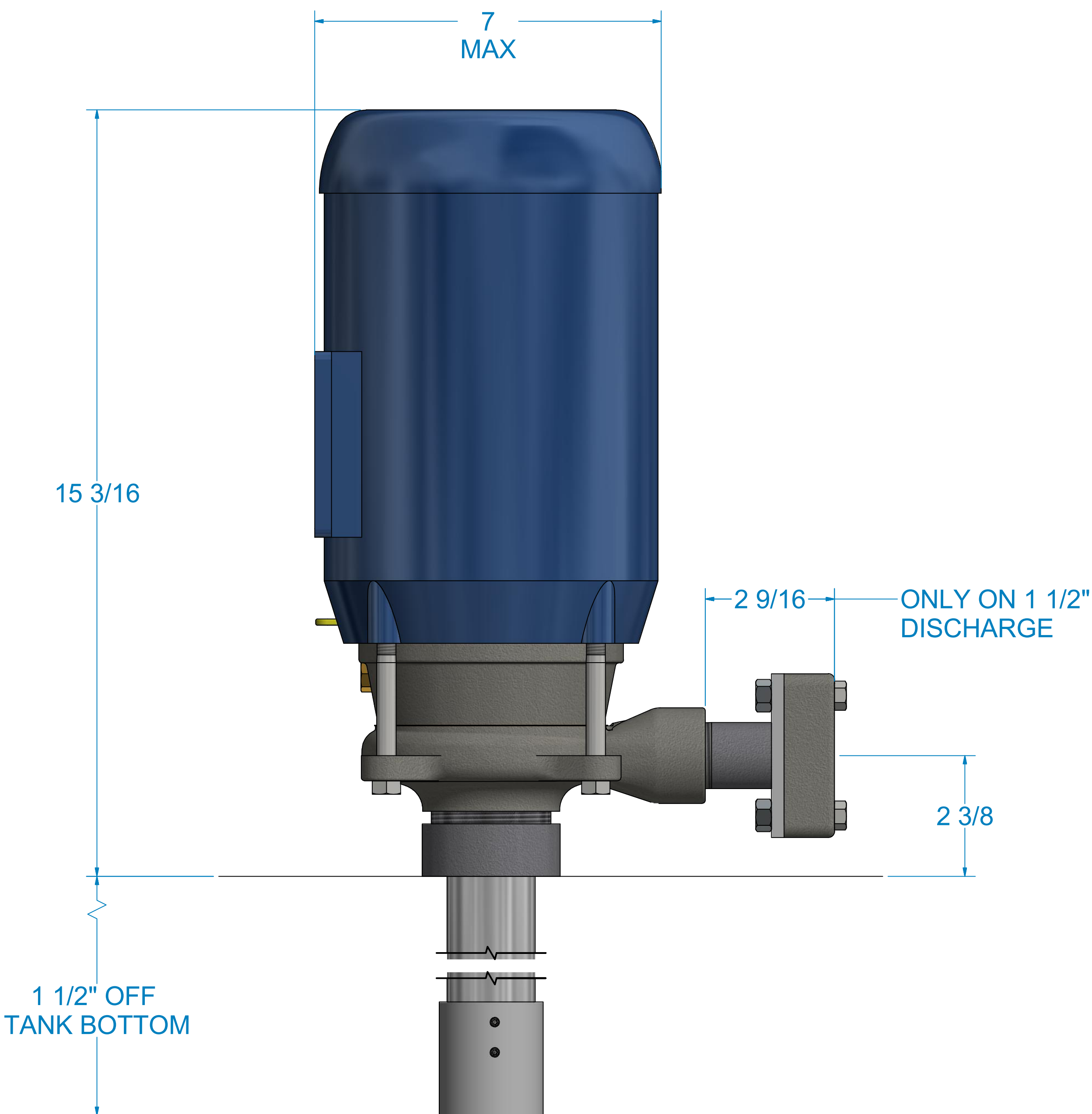
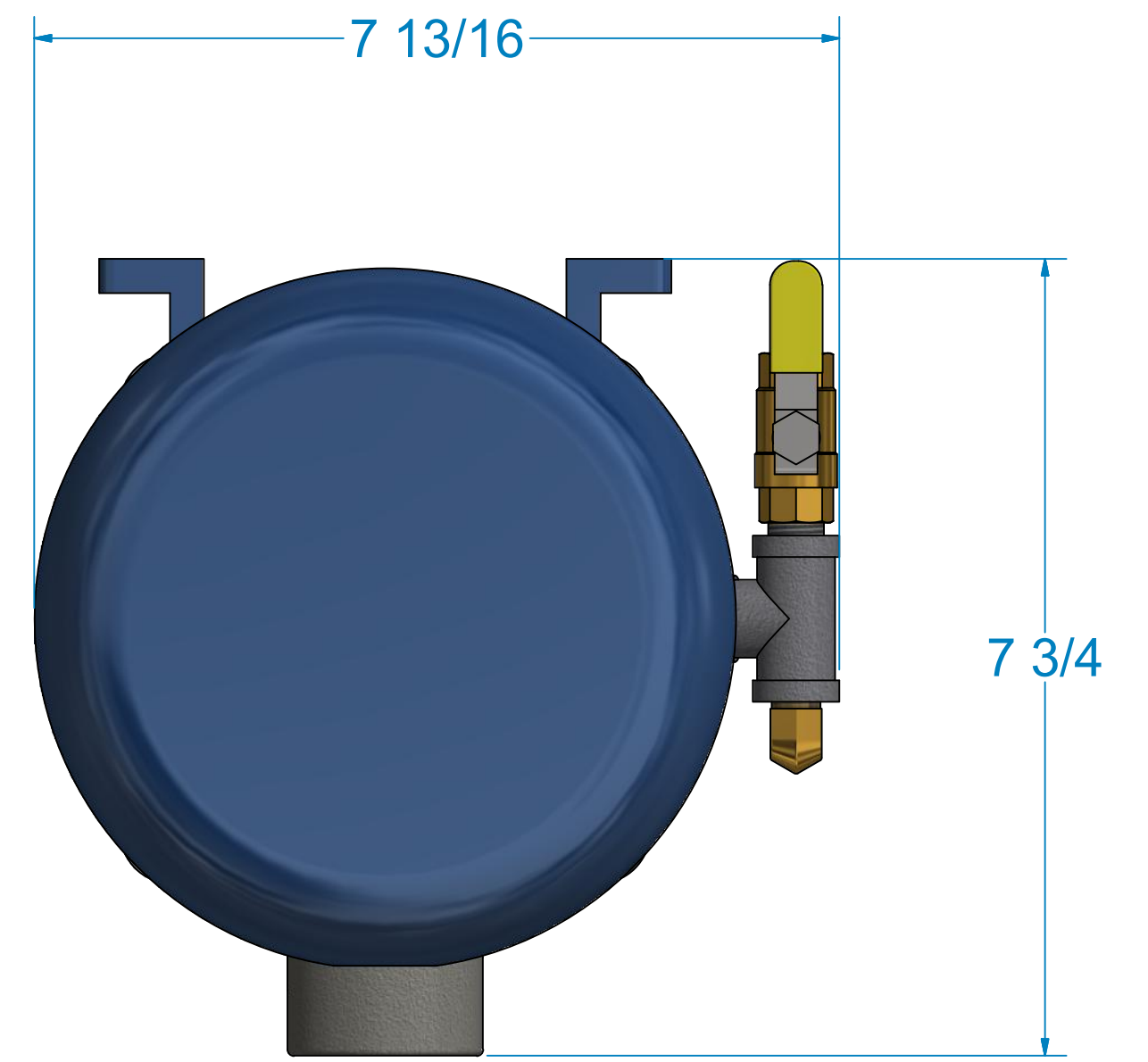
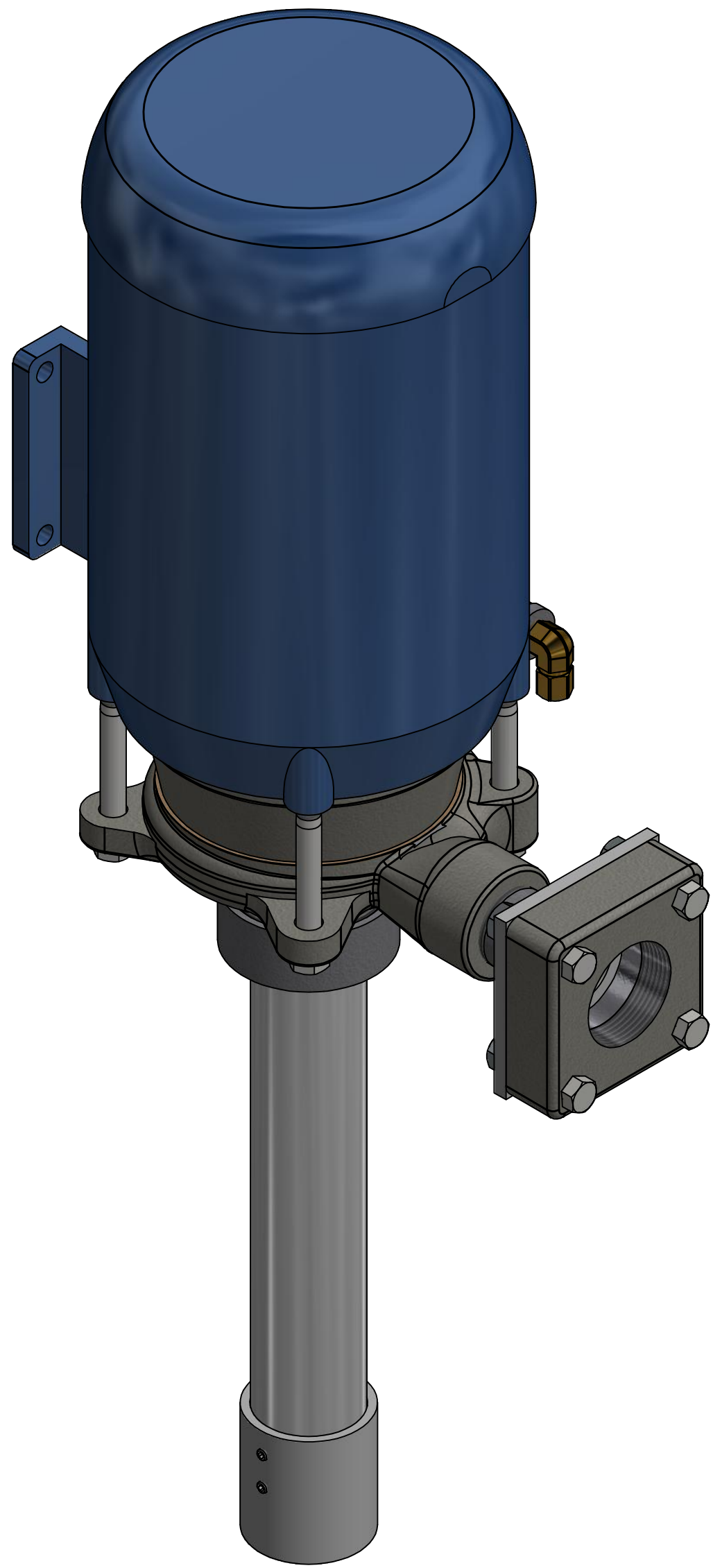


-DIMENSIONS FOR REFERENCE ONLY]  
 -PUMP IS NOT DESIGNED TO SUPPORT PIPING WEIGHT



BLEED LINE MUST RUN  
 LENGTH OF COLUMN  
 MAX DEPTH 24"



**SHIPPENSBURG PUMP CO., INC.**  
 P.O. Box 279 Shippensburg, PA 17257  
 (717) 532-7321 • www.shipcopumps.com  
 SHIPCO® is a registered trademark of Shippensburg Pump Co., Inc.

**110 MODEL MU 56J FRAME**

SECTION	DRAWING NO.	REV.	DATE
MU	110MUAJ0-XXX-XXX	0	6/11/2018