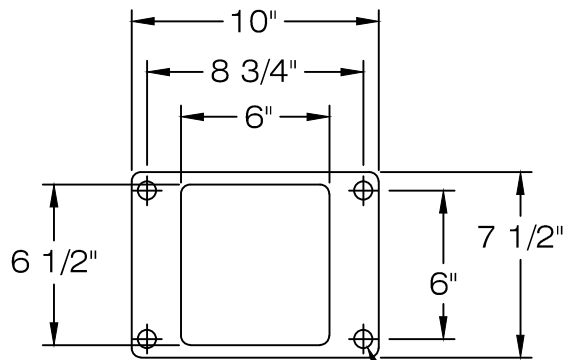
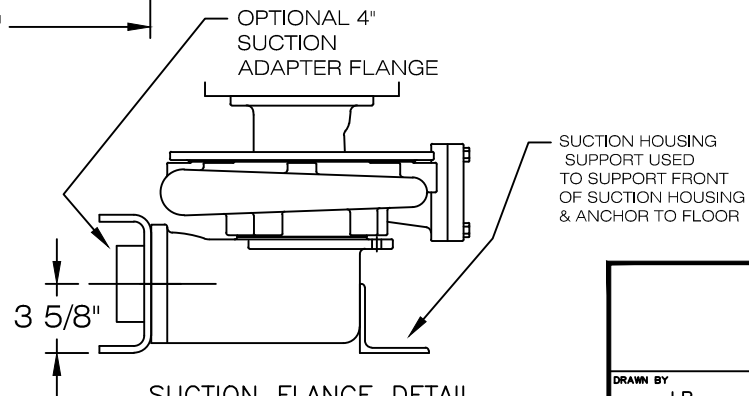
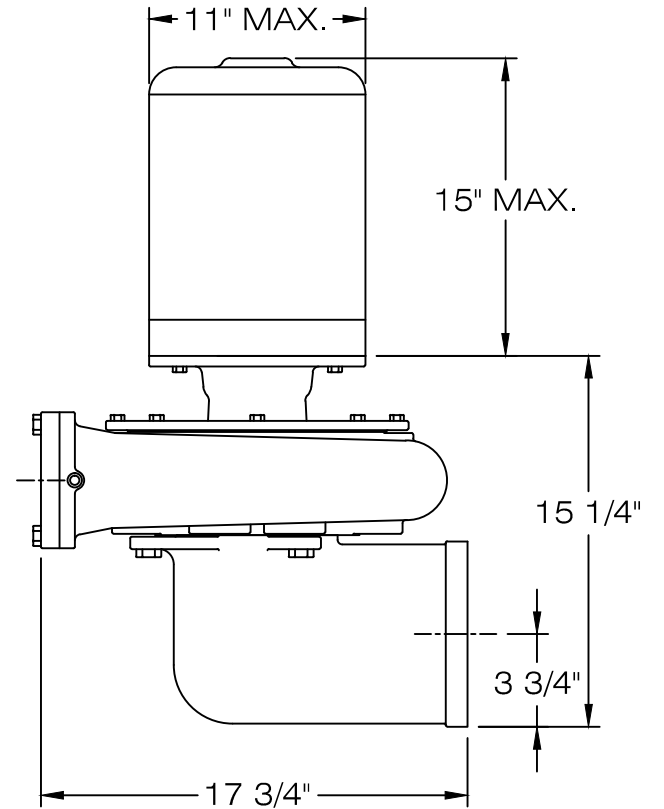
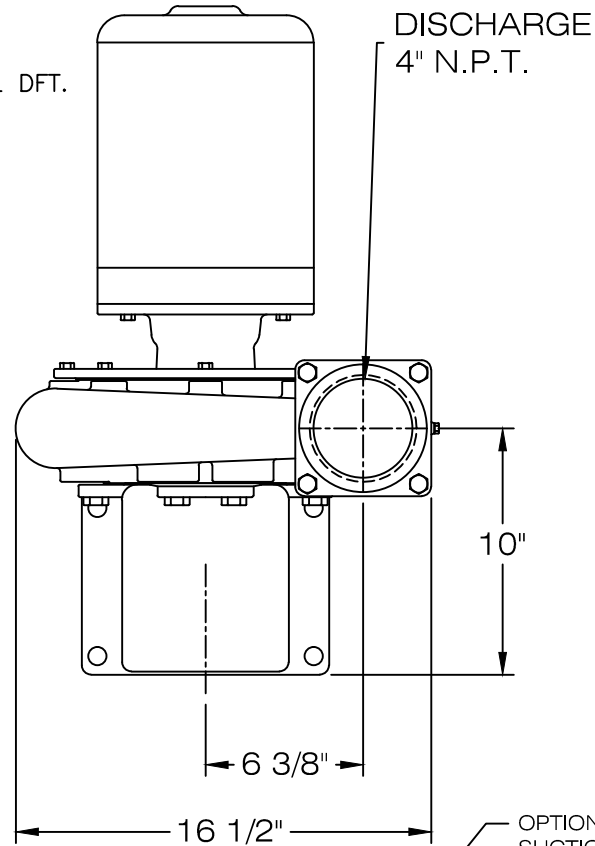


- NOTES:
 1.) DRAWING FOR REFERENCE USE ONLY.
 2.) ALL DIMENSIONS ARE APPROXIMATE.
 3.) ADDING THE SUCTION ADAPTER FLANGE (OPTIONAL) TO THE PUMP, MAKES IT A MODEL DFT.



SUCTION MOUNTING LAYOUT

MOUNTING HOLES
 (4) 3/4" BOLTS



SUCTION FLANGE DETAIL

(OPTIONAL)
 NOT TO SCALE

SHIPCO®
 PUMPS

MANUFACTURED BY
 SHIPPENSBURG PUMP COMPANY INC.
 P.O. Box 279 Shippensburg, Pa. 17257
 PHONE 717 532-7321 / FAX 717 532-7704
 WWW.SHIPCOPUMPS.COM

SHIPCO® IS A REGISTERED TRADEMARK OF SHIPPENSBURG PUMP CO., INC.

Model DF
132 PUMP

DRAWN BY J.B.	DATE 8/14	REVISION .5
DIMENSION PRINT 40078		

Section D Page 1400