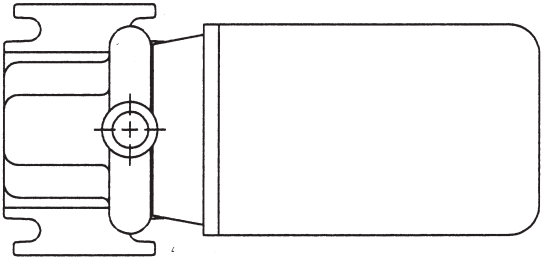
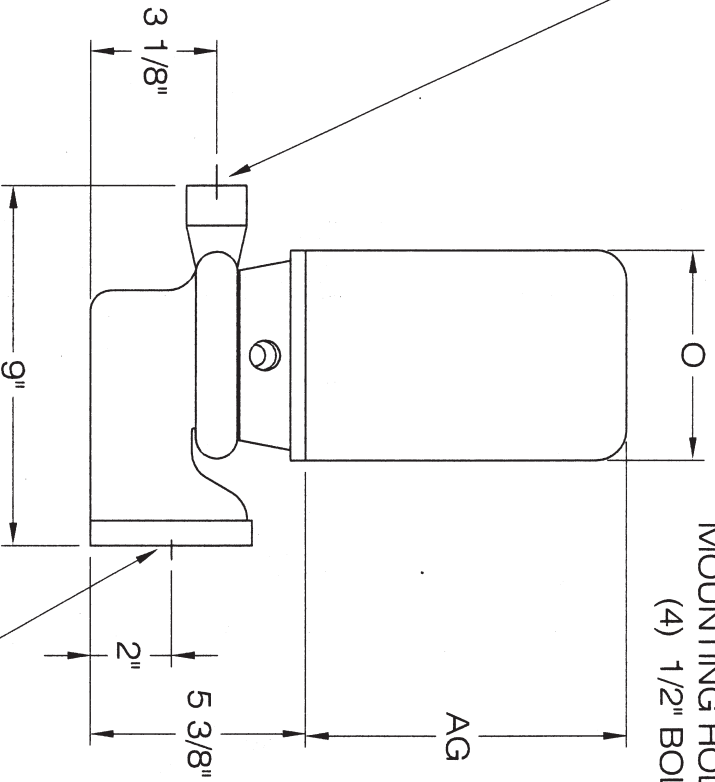


DISCHARGE
(SEE CAPACITY CHART)

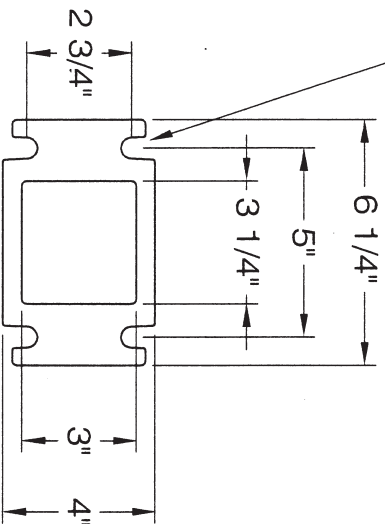
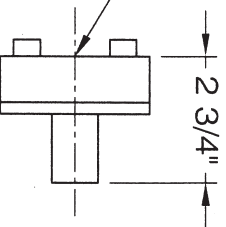


MOUNTING HOLES
(4) 1/2" BOLTS



SUCTION

1 1/2" F.N.P.T.



DISCHARGE CAPACITY	
G.P.M.	SIZE
0-15	3/4"
16-60	1 1/2"

ASSEMBLY USED FOR
1 1/2" DISCHARGE SIZE

APPROXIMATE MOTOR DIMENSIONS

3500 RPM		1750 RPM	
MOTOR HP	1/3-1/2	3/4-1	1 1/2-2
DIMENSION O	6 3/4"	6 3/4"	7"
DIMENSION AG	9 1/2"	9 1/2"	10"
MOTOR HP	1/3-1/2	3/4-1	1 1/2-2
DIMENSION O	6 3/4"	6 3/4"	7"
DIMENSION AG	9 1/2"	9 1/2"	10"

SHIPCO®
PUMPS

MANUFACTURED BY

SHIPPENSBURG PUMP COMPANY INC.
P.O. Box 279 Shippensburg, Pa. 17257
PHONE 717 532-7321 / FAX 717 532-7704
WWW.SHIPCO.PUMPS.COM

SHIPCO® IS A REGISTERED TRADEMARK OF SHIPPENSBURG PUMP CO., INC.

Model D
Type 110 Vertical Flange Mounted

DRAWN BY	DATE	REVISION
J.B.	3/04	3
DIMENSION PRINT		