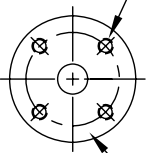
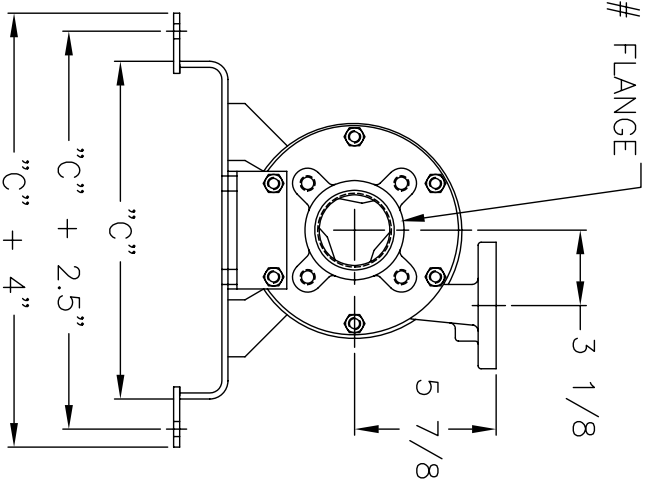
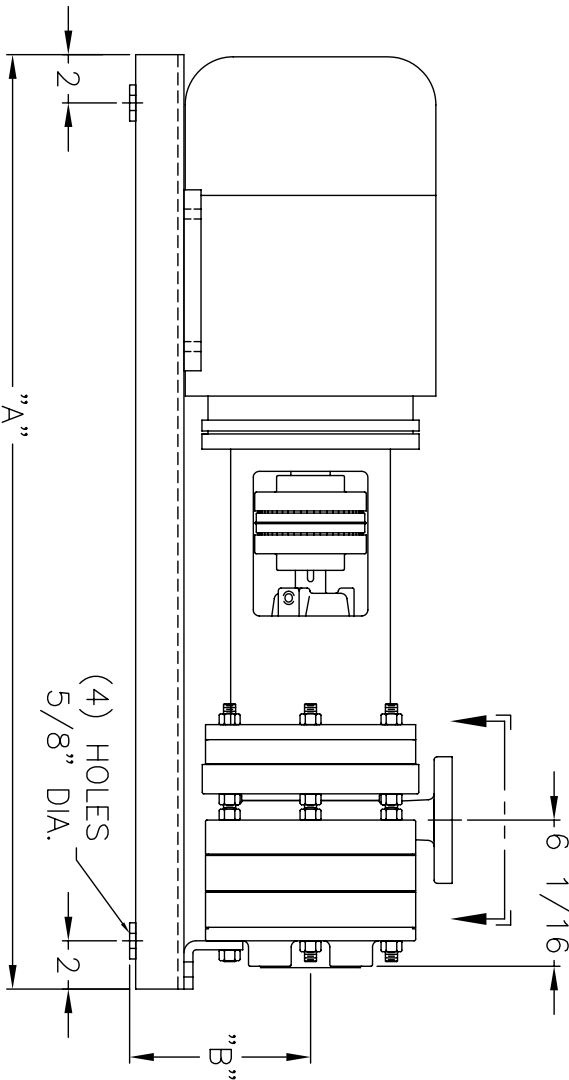


(4) 5/8" HOLES ON 3 7/8" B.C. DISCHARGE FLANGE MATES TO 1 1/4" 300# FLANGE



VIEW A-A

END SUCTION MATES TO 2 1/2" 150# FLANGE



MOTOR SIZE	"A"	"B"	"C"
3 HP TC FRAME	35.50"	6.75"	10"
5 HP TC FRAME	36.50"	6.75"	10"
7 1/2 HP TC FRAME	38.75"	7.50"	14"

ALL DIMENSIONS APPROXIMATE

SHIPCO®
PUMPS

MANUFACTURED BY

SHIPPENSBURG PUMP COMPANY INC.
P.O. Box 279 Shippenburg, Pa. 17257
PHONE 717 532-7321 / FAX 717 532-7704
WWW.SHIPCO-PUMPS.COM

SHIPCO® IS A REGISTERED TRADEMARK OF SHIPPENSBURG PUMP CO., INC.

MODEL 316 AWF
HORIZONTAL END SUCTION

DRAWN BY	DATE	REVISION
S.R.K.	8/04	.1
DIMENSION PRINT		
40204		