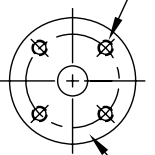
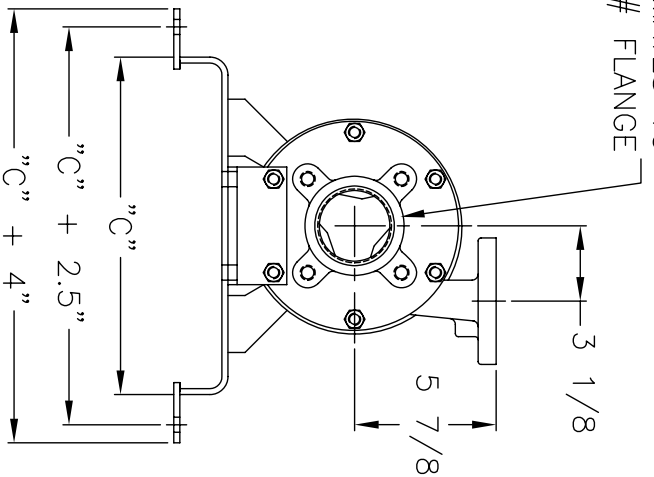
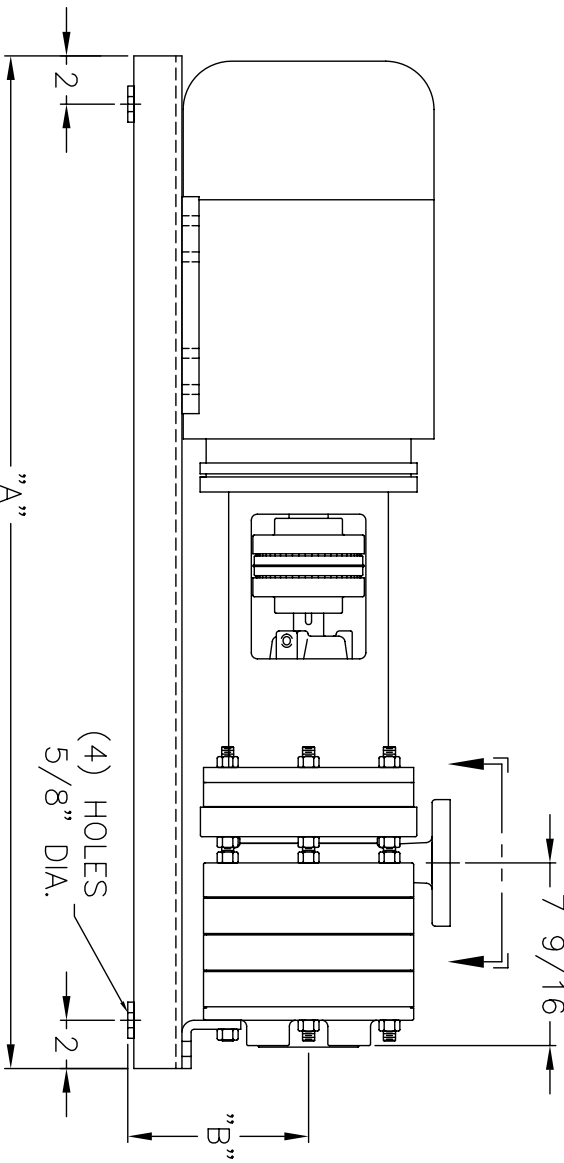


(4) 5/8" HOLES
ON 3 7/8" B.C.
DISCHARGE FLANGE MATES
TO 1 1/4" 300# FLANGE



VIEW A-A

END SUCTION MATES TO
2 1/2" 150# FLANGE



MOTOR SIZE	"A"	"B"	"C"
3 HP TC FRAME	37.00"	6.75"	10"
5 HP TC FRAME	38.00"	6.75"	10"
7 1/2 HP TC FRAME	40.25"	7.50"	14"
10 HP TC FRAME	42.00"	7.50"	14"

ALL DIMENSIONS APPROXIMATE

SHIPCO®
PUMPS

MANUFACTURED BY

SHIPPENSBURG PUMP COMPANY INC.

P.O. Box 279

Shippensburg, Pa. 17257

PHONE 717 532-7321 / FAX 717 532-7704

WWW.SHIPCO-PUMPS.COM

SHIPCO® IS A REGISTERED TRADEMARK OF SHIPPENSBURG PUMP CO., INC.

MODEL 416 AWF
HORIZONTAL END SUCTION

DRAWN BY

S.R.K.

DATE

8/04

REVISION

.1

DIMENSION PRINT

40205