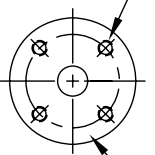
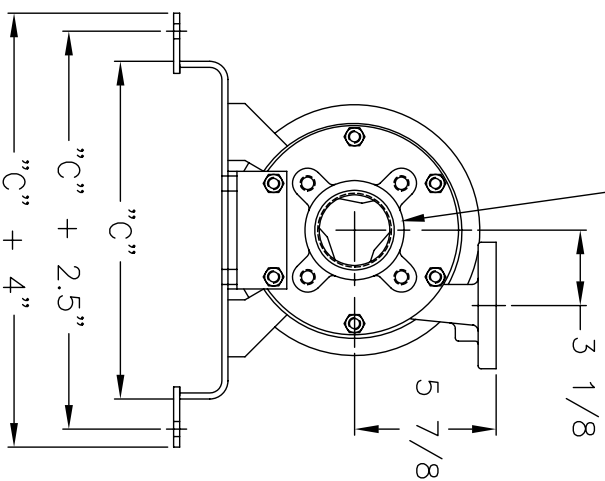
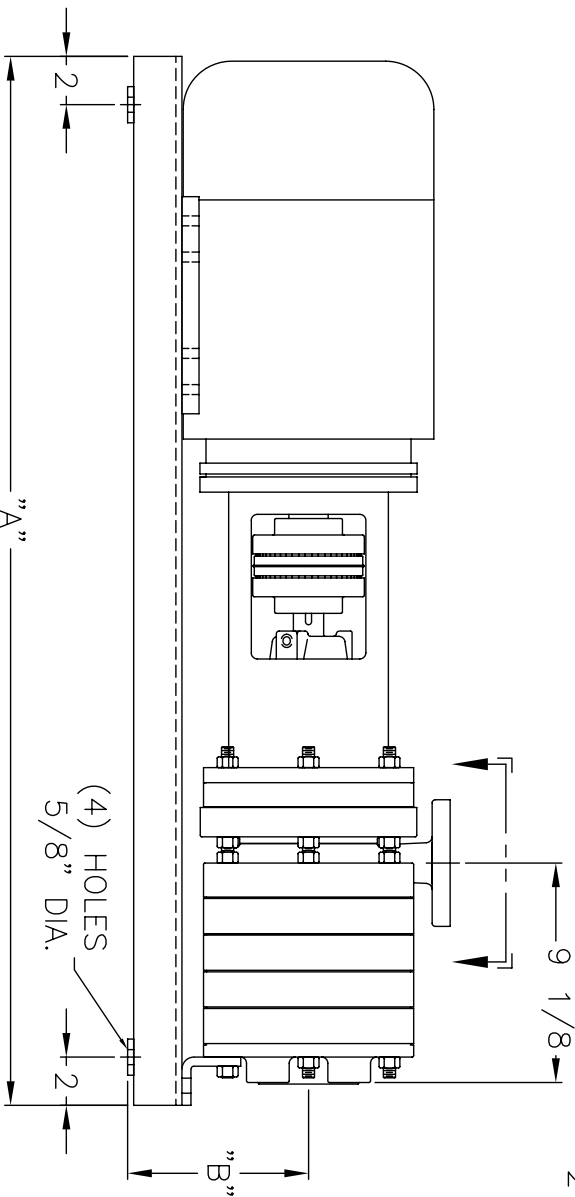


(4) 5/8" HOLES ON 3 7/8" B.C.  
DISCHARGE FLANGE MATES TO 1 1/4" 300# FLANGE



VIEW A-A

END SUCTION MATES TO 2 1/2" 150# FLANGE



MOTOR SIZE	"A"	"B"	"C"
5 HP TC FRAME	39.50"	6.75"	10"
7 1/2 HP TC FRAME	41.75"	7.50"	14"
10 HP TC FRAME	43.50"	7.50"	14"

ALL DIMENSIONS APPROXIMATE

**SHIPCO®**  
**SPUMPS**

MANUFACTURED BY

SHIPPENSBURG PUMP COMPANY INC.

P.O. Box 279 Shippenburg, Pa. 17257

PHONE 717 532-7321 / FAX 717 532-7704

WWW.SHIPCOPIUMPS.COM

SHIPCO® IS A REGISTERED TRADEMARK OF SHIPPENSBURG PUMP CO., INC.

**MODEL 516 AWF**  
**HORIZONTAL END SUCTION**

DRAWN BY

S.R.K.

DATE

8/04

REVISION

.1

DIMENSION PRINT

40206