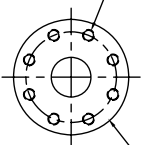
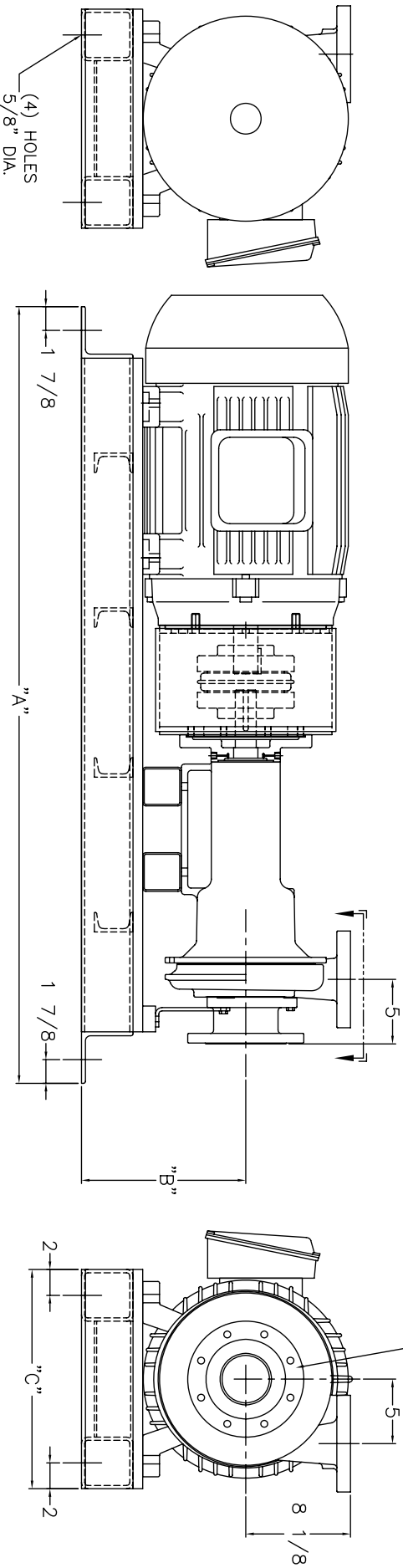


(8) 3/4-10 UNC TAPPED HOLES ON 5 7/8" B.C.
 DISCHARGE FLANGE MATES TO 2 1/2" 300# FLANGE



END SUCTION MATES TO 4" 150# FLANGE



MOTOR SIZE	"A"	"B"	"C"
7 1/2 HP TC FRAME ODP.	50 1/2"	11 3/4"	17"
7 1/2 HP TC FRAME TFFC.	50 1/2"	11 3/4"	17"
10 HP TC FRAME ODP.	50 1/2"	11 3/4"	17"
10 HP TC FRAME TFFC.	53"	11 3/4"	17"
15 HP TC FRAME ODP.	53"	11 3/4"	17"
15 HP TC FRAME TFFC.	55"	11 3/4"	17"
20 HP TC FRAME ODP.	55"	11 3/4"	17"
20 HP TC FRAME TFFC.	55"	11 3/4"	17"
25 HP TC FRAME ODP.	55"	11 3/4"	17"
25 HP TC FRAME TFFC.	55"	11 3/4"	17"

ALL DIMENSIONS APPROXIMATE

SHIPCO®
SPUMPS

MANUFACTURED BY

SHIPPENSBURG PUMP COMPANY INC.

P.O. Box 279 Shippensburg, Pa. 17257

PHONE 717 532-7321 / FAX 717 532-7704

WWW.SHIPCOPIUMPS.COM

SHIPCO® IS A REGISTERED TRADEMARK OF SHIPPENSBURG PUMP CO., INC.

MODEL 129 AWF
HORIZONTAL END SUCTION

DRAWN BY	DATE	REVISION
S.A.D.	1/05	.0
DIMENSION PRINT		