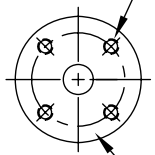
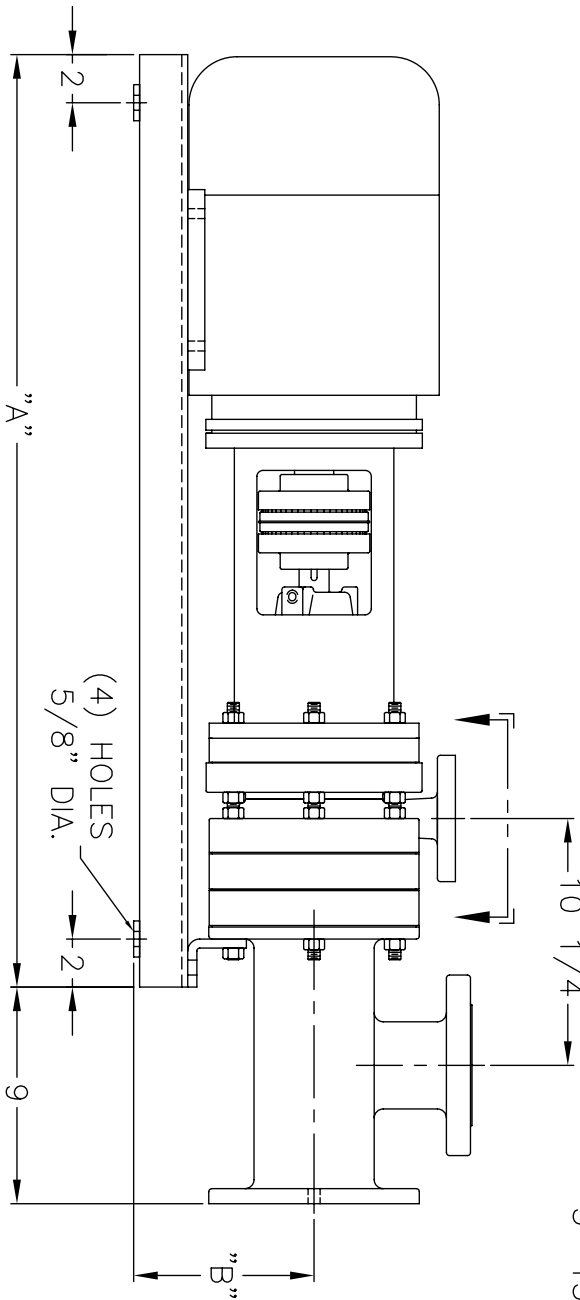


(4) 5/8" HOLES ON 3 7/8" B.C. DISCHARGE FLANGE MATES TO 1 1/4" 300# FLANGE



VIEW A-A

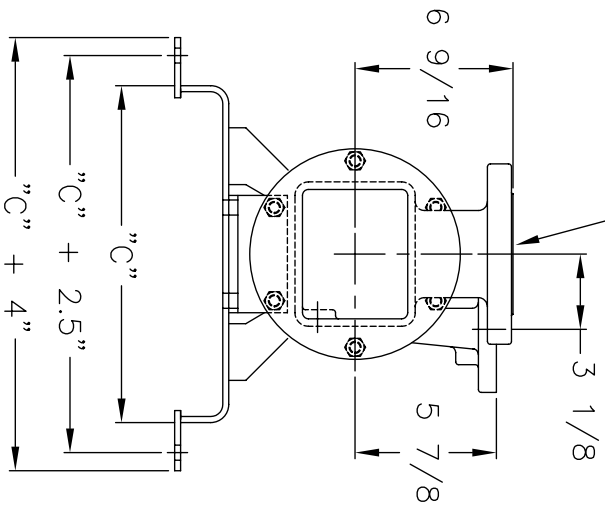
END SUCTION MATES TO 3" 150# FLANGE



(4) HOLES 5/8" DIA.

MOTOR SIZE	"A"	"B"	"C"
3 HP TC FRAME	35.50"	6.75"	10"
5 HP TC FRAME	36.50"	6.75"	10"
7 1/2 HP TC FRAME	38.75"	7.50"	14"

ALL DIMENSIONS APPROXIMATE



MANUFACTURED BY

SHIPPENSBURG PUMP COMPANY INC.  
 P.O. Box 279 Shippensburg, Pa. 17257  
 PHONE 717 532-7321 / FAX 717 532-7704  
 WWW.SHIPCO PUMPS.COM

SHIPCO® IS A REGISTERED TRADEMARK OF SHIPPENSBURG PUMP CO., INC.

**MODEL 316 AWF-B**  
**HORIZONTAL MOUNTED**

DRAWN BY	DATE	REVISION
S.A.D.	8/06	.1
DIMENSION PRINT		

40233