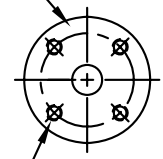
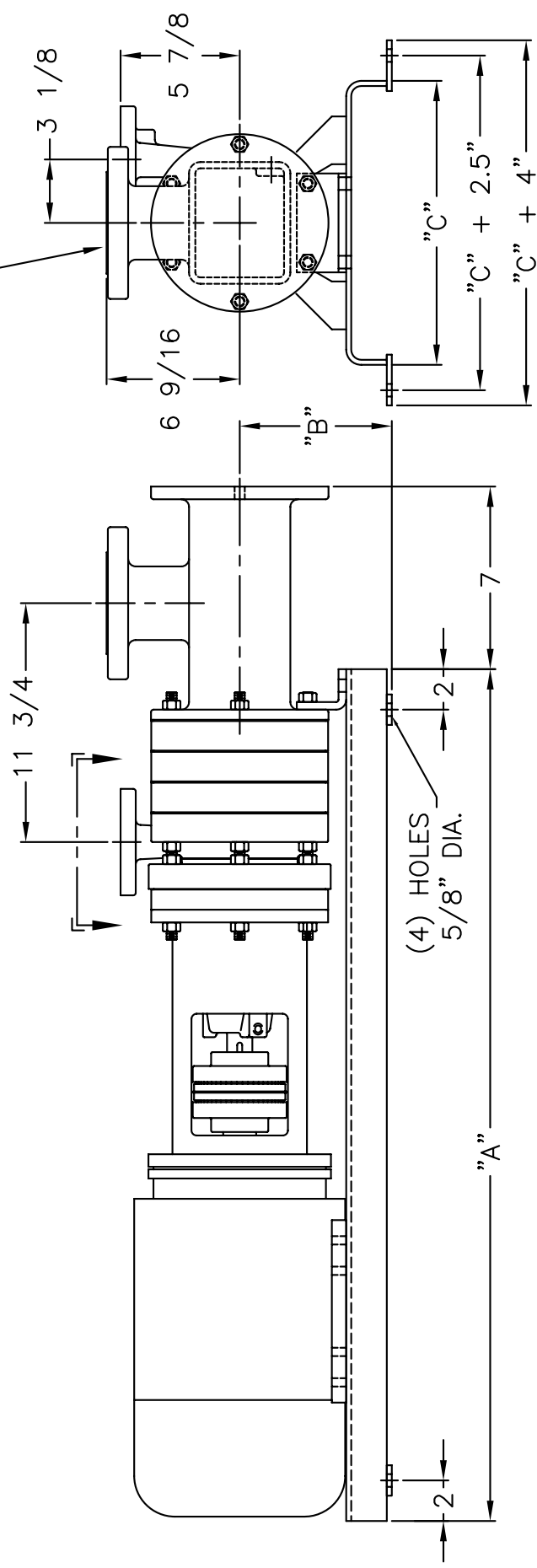


(4) 5/8" HOLES  
ON 3 7/8" B.C.  
DISCHARGE FLANGE MATES  
TO 1 1/4" 300# FLANGE



VIEW A-A

END SUCTION MATES TO  
3" 150# FLANGE



(4) HOLES  
5/8" DIA.

MOTOR SIZE	"A"	"B"	"C"
3 HP TC FRAME	37.00"	6.75"	10"
5 HP TC FRAME	38.50"	6.75"	11"
7 1/2 HP TC FRAME	40.25"	7.50"	14"
10 HP TC FRAME	42.00"	7.50"	14"

ALL DIMENSIONS APPROXIMATE

**SHIPCO®**  
PUMPS  
MANUFACTURED BY  
SHIPPENSBURG PUMP COMPANY INC.  
P.O. Box 279 Shippensburg, Pa. 17257  
PHONE 717 532-7321 / FAX 717 532-7704  
WWW.SHIPCO.PUMPS.COM  
SHIPCO® IS A REGISTERED TRADEMARK OF SHIPPENSBURG PUMP CO., INC.

**MODEL 416 AWF-B**  
**HORIZONTAL MOUNTED**

DRAWN BY	S.A.D.	DATE	1/11	REVISION	.3
DIMENSION PRINT				40234	