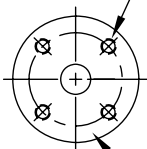
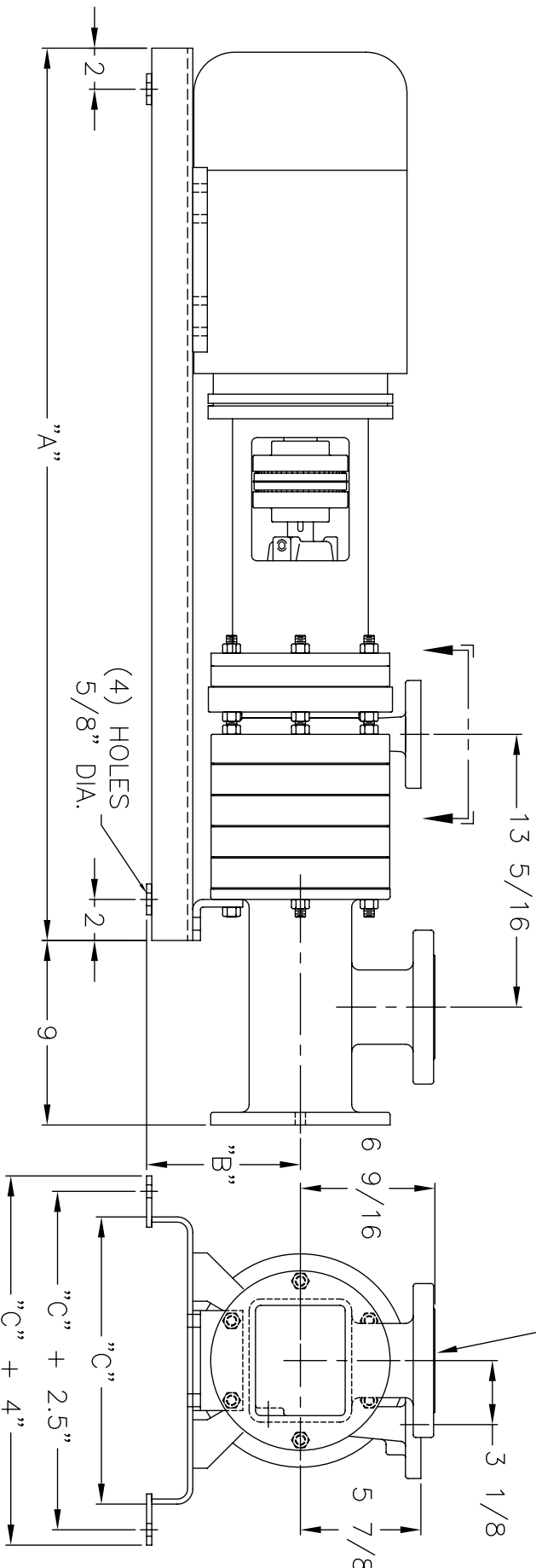


(4) 5/8" HOLES ON 3 7/8" B.C. DISCHARGE FLANGE MATES TO 1 1/4" 300# FLANGE



VIEW A-A END SUCTION MATES TO 3" 150# FLANGE TO



MOTOR SIZE	"A"	"B"	"C"
5 HP TC FRAME	39.50"	6.75"	10"
7 1/2 HP TC FRAME	41.75"	7.50"	14"
10 HP TC FRAME	43.50"	7.50"	14"

ALL DIMENSIONS APPROXIMATE

SHIPCO®
PUMPS

MANUFACTURED BY
SHIPPENSBURG PUMP COMPANY INC.
P.O. Box 279 Shippenburg, Pa. 17257
PHONE 717 532-7321 / FAX 717 532-7704
WWW.SHIPCOPIUMPS.COM
SHIPCO® IS A REGISTERED TRADEMARK OF SHIPPENSBURG PUMP CO., INC.

MODEL 516 AWF-B
HORIZONTAL MOUNTED

DRAWN BY	DATE	REVISION
S.A.D.	8/06	.1
DIMENSION PRINT		