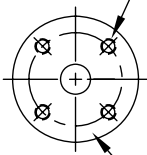
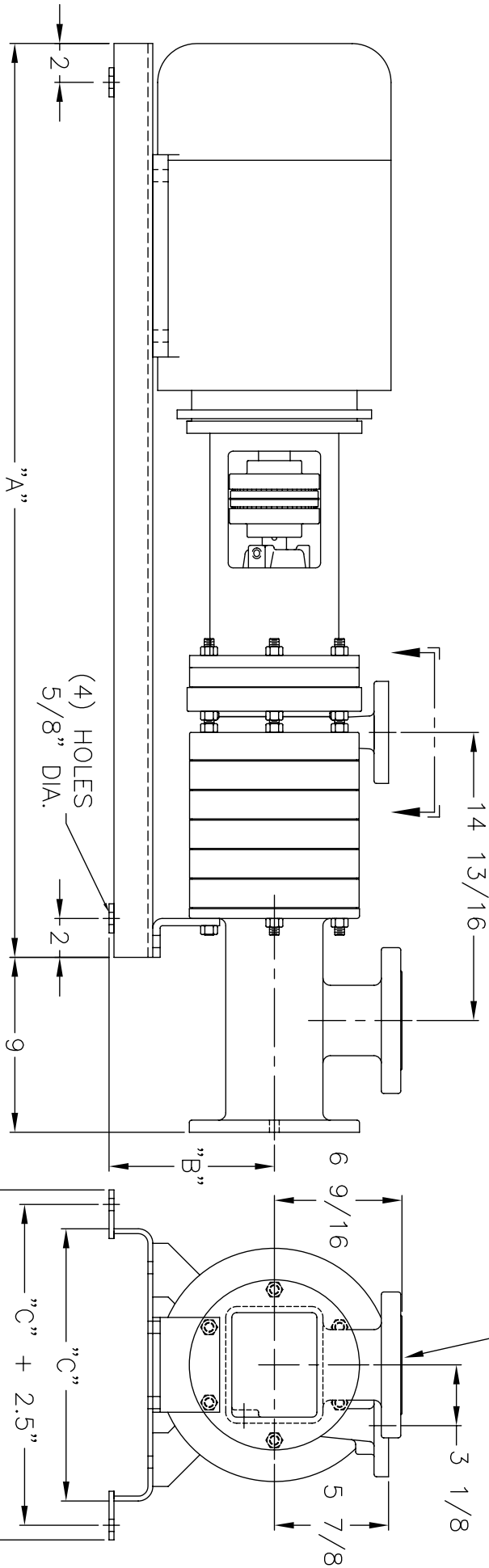


(4) 5/8" HOLES ON 3 7/8" B.C. DISCHARGE FLANGE MATES TO 1 1/4" 300# FLANGE



END SUCTION MATES TO 3" 150# FLANGE



MOTOR SIZE	"A"	"B"	"C"
5 HP TC FRAME	41.00"	6.75"	10"
7 1/2 HP TC FRAME	43.25"	7.50"	14"
10 HP TC FRAME	45.00"	7.50"	14"
15 HP TC FRAME	47.50"	8.50"	14"

ALL DIMENSIONS APPROXIMATE

SHIPCO®
PUMPS

MANUFACTURED BY

SHIPPENSBURG PUMP COMPANY INC.
P.O. Box 279 Shippenburg, Pa. 17257
PHONE 717 532-7321 / FAX 717 532-7704
WWW.SHIPCOPIUMPS.COM

SHIPCO® IS A REGISTERED TRADEMARK OF SHIPPENSBURG PUMP CO., INC.

MODEL 616 AWF-B
HORIZONTAL MOUNTED

DRAWN BY	DATE	REVISION
S.A.D.	9/06	.2
DIMENSION PRINT		
40236		