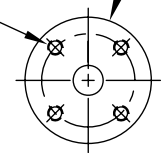
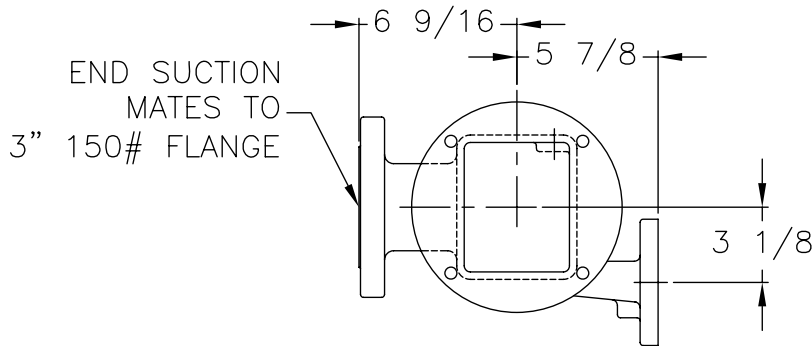


DISCHARGE FLANGE MATES TO 1 1/4" 300# FLANGE

(4) 5/8" HOLES ON 3 7/8" B.C.



VIEW A-A



MOTOR SIZE	"A"
3 HP TC FRAME	45.75"
5 HP TC FRAME	46.75"
7 1/2 HP TC FRAME	49.00"
10 HP TC FRAME	50.75"

ALL DIMENSIONS APPROXIMATE

**SHIPCO®**  
**PUMPS**  
 MANUFACTURED BY  
 SHIPPENSBURG PUMP COMPANY INC.  
 P.O. Box 279 Shippensburg, Pa. 17257  
 PHONE 717 532-7321 / FAX 717 532-7704  
 WWW.SHIPCOPUMPS.COM  
 SHIPCO® IS A REGISTERED TRADEMARK OF SHIPPENSBURG PUMP CO., INC.

**MODEL 416 AWF-B**  
**VERTICAL MOUNTED**

DRAWN BY M.E.R.	DATE 10/06	REVISION .0
DIMENSION PRINT <b>40238</b>		
<b>Section AWF Page 2075</b>		