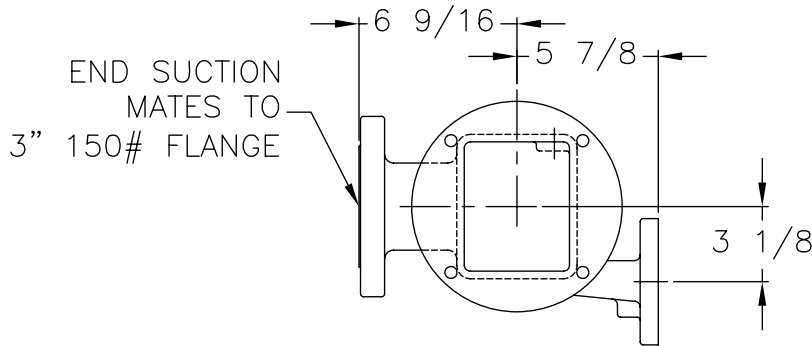
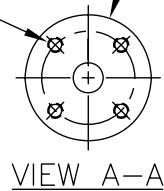


DISCHARGE FLANGE MATES TO 1 1/4" 300# FLANGE

(4) 5/8" HOLES ON 3 7/8" B.C.



MOTOR SIZE	"A"
3 HP TC FRAME	44.25"
5 HP TC FRAME	45.25"
7 1/2 HP TC FRAME	47.50"

ALL DIMENSIONS APPROXIMATE

SHIPCO®
PUMPS

MANUFACTURED BY

SHIPPENSBURG PUMP COMPANY INC.

P.O. Box 279 Shippensburg, Pa. 17257

PHONE 717 532-7321 / FAX 717 532-7704

WWW.SHIPCOPUMPS.COM

SHIPCO® IS A REGISTERED TRADEMARK OF SHIPPENSBURG PUMP CO., INC.

MODEL 316 AWF-B
VERTICAL MOUNTED

DRAWN BY	DATE	REVISION
M.E.R.	12/06	.0

DIMENSION PRINT	40239
-----------------	--------------