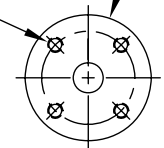
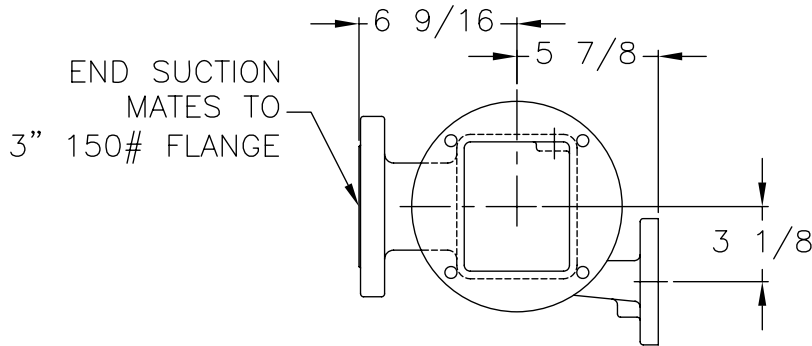


DISCHARGE FLANGE MATES TO 1 1/4" 300# FLANGE

(4) 5/8" HOLES ON 3 7/8" B.C.



VIEW A-A



MOTOR SIZE	"A"
5 HP TC FRAME	48.25"
7 1/2 HP TC FRAME	50.50"
10 HP TC FRAME	52.25"

ALL DIMENSIONS APPROXIMATE

SHIPCO®
PUMPS

MANUFACTURED BY

SHIPPENSBURG PUMP COMPANY INC.

P.O. Box 279 Shippensburg, Pa. 17257

PHONE 717 532-7321 / FAX 717 532-7704

WWW.SHIPCOPUMPS.COM

SHIPCO® IS A REGISTERED TRADEMARK OF SHIPPENSBURG PUMP CO., INC.

MODEL 516 AWF-B
VERTICAL MOUNTED

DRAWN BY M.E.R.	DATE 12/06	REVISION .0
--------------------	---------------	----------------

DIMENSION PRINT **40240**

Section AWF Page 2175