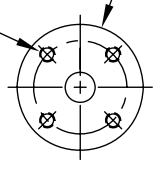


DISCHARGE FLANGE MATES TO 1 1/4" 300# FLANGE

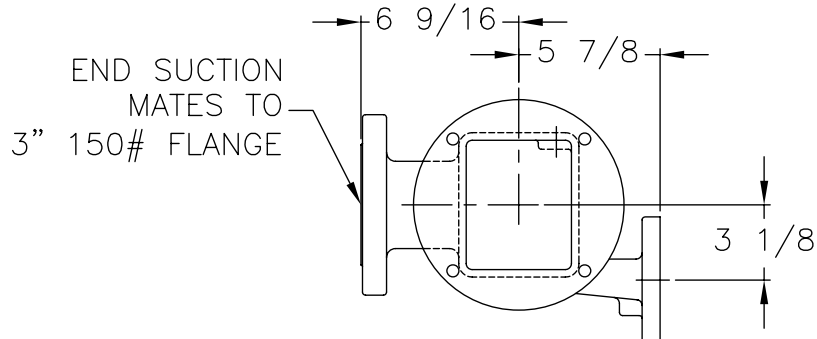
(4) 5/8" HOLES ON 3 7/8" B.C.



VIEW A-A

MOTOR SIZE	"A"
5 HP TC FRAME	49.75"
7 1/2 HP TC FRAME	52.00"
10 HP TC FRAME	53.75"
15 HP TC FRAME	56.25"

ALL DIMENSIONS APPROXIMATE



SHIPCO®
PUMPS
 MANUFACTURED BY
 SHIPPENSBURG PUMP COMPANY INC.
 P.O. Box 279 Shippensburg, Pa. 17257
 PHONE 717 532-7321 / FAX 717 532-7704
 WWW.SHIPCOPUMPS.COM
 SHIPCO® IS A REGISTERED TRADEMARK OF SHIPPENSBURG PUMP CO., INC.

MODEL 616 AWF-B
VERTICAL MOUNTED

DRAWN BY M.E.R.	DATE 12/06	REVISION .0
DIMENSION PRINT 40241		
Section AWF Page 2275		