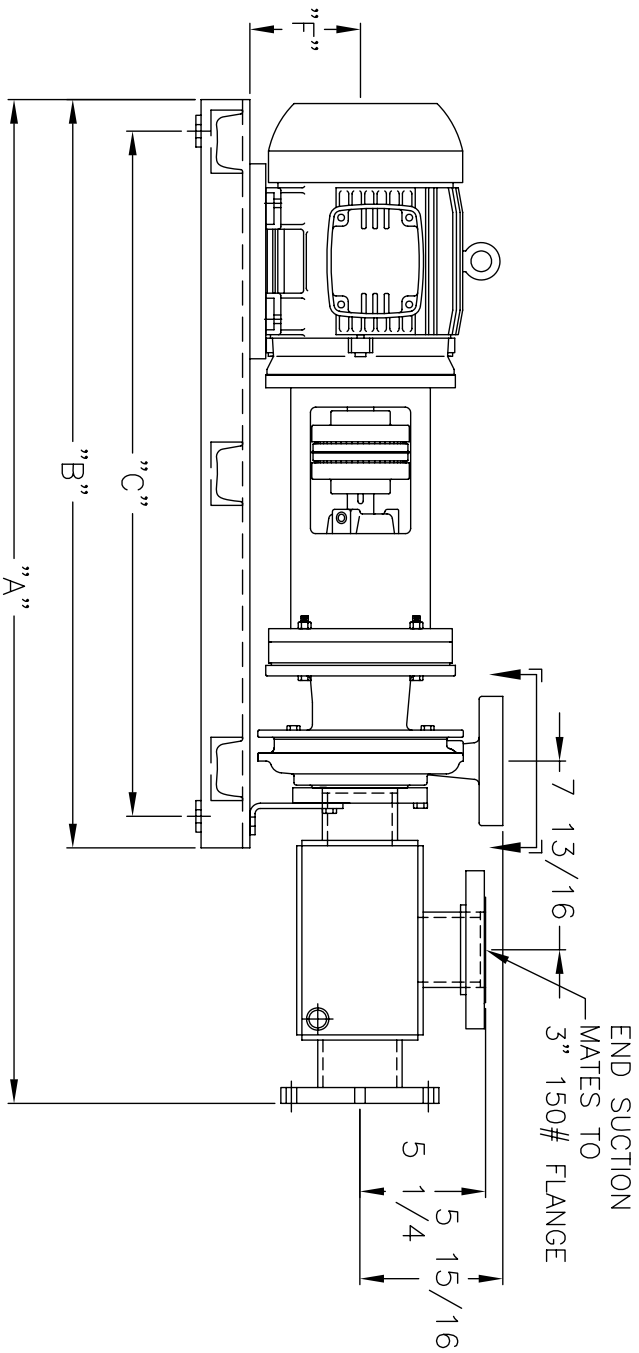
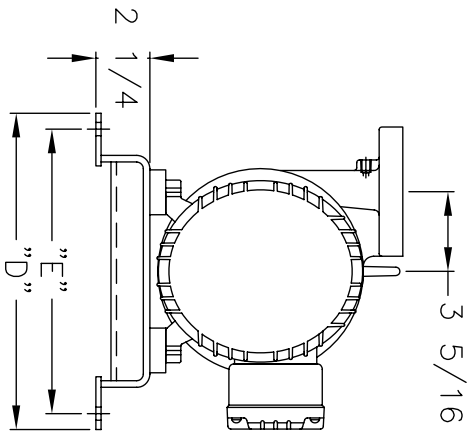
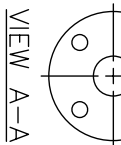


MOTOR SIZE	"A"	"B"	"C"	"D"	"E"	"F"
3 HP TC FRAME	46 3/4"	34 1/2"	31 1/2"	15"	13 1/2"	5 1/4"
5 HP TC FRAME	47 3/4"	35 1/2"	32 1/2"	15"	13 1/2"	5 1/4"
7 1/2 HP TC FRAME	49 3/4"	37 1/2"	34 1/2"	16"	14 1/2"	6"
10 HP TC FRAME	50 3/4"	38 1/2"	35 1/2"	16"	14 1/2"	6"
15 HP TC FRAME	53 3/4"	41 1/2"	38 1/2"	19"	17 1/2"	7"

ALL DIMENSIONS APPROXIMATE

DISCHARGE FLANGE MATES TO 1 1/2" 300# FLANGE
 (4) 3/4" HOLES ON 4 1/2" B.C.



SHIPCO®
SPUMPS

MANUFACTURED BY

SHIPPENSBURG PUMP COMPANY INC.
 P.O. Box 279 Shippensburg, Pa. 17257
 PHONE 717 532-7321 / FAX 717 532-7704
 WWW.SHIPCOPUMPS.COM

SHIPCO® IS A REGISTERED TRADEMARK OF SHIPPENSBURG PUMP CO., INC.

MODEL 121 AWF-B
HORIZONTAL MOUNTED

DRAWN BY: S.A.D. DATE: 1/07 REVISION: .0
 DIMENSION PRINT: 40242