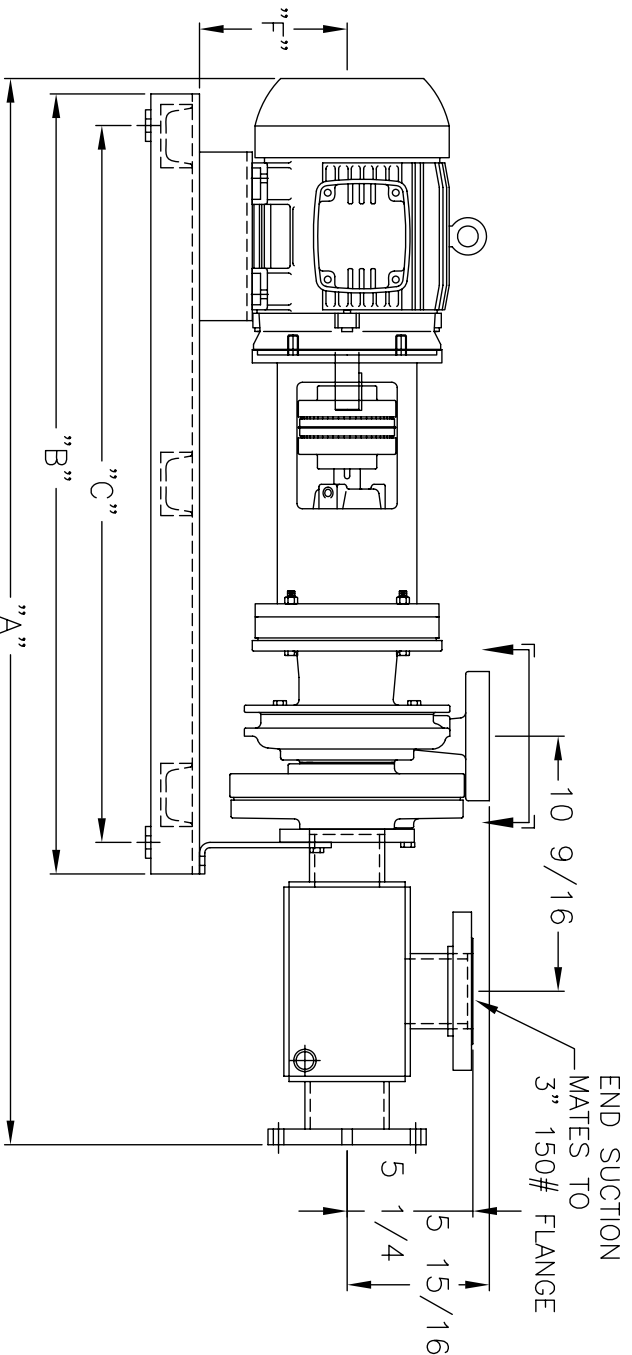
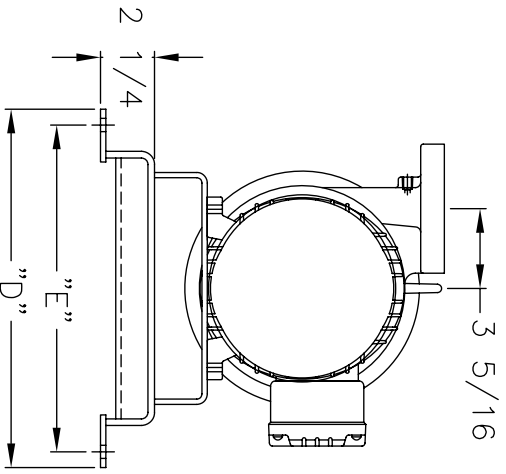
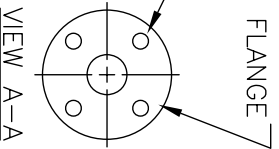


MOTOR SIZE	"A"	"B"	"C"	"D"	"E"	"F"
5 HP TC FRAME	50 3/4"	37"	34"	17"	15 1/2"	7"
7 1/2 HP TC FRAME	52 3/8"	39 1/2"	36 1/2"	16"	14 1/2"	6"
10 HP TC FRAME	54"	41"	38"	16"	14 1/2"	6"
15 HP TC FRAME	57"	44"	41"	19"	17 1/2"	7"
20 HP TC FRAME	59"	46"	43"	19"	17 1/2"	7"

ALL DIMENSIONS APPROXIMATE

DISCHARGE FLANGE MATES TO 1 1/2" 300# FLANGE

(4) 3/4" HOLES ON 4 1/2" B.C.



SHIPCO®
PUMPS

MANUFACTURED BY

SHIPPENSBURG PUMP COMPANY, INC.

P.O. Box 279 Shippensburg, Pa. 17257

PHONE 717 532-7321 / FAX 717 532-7704

WWW.SHIPCOPIUMPS.COM

SHIPCO® IS A REGISTERED TRADEMARK OF SHIPPENSBURG PUMP CO., INC.

MODEL 221 AWF-B
HORIZONTAL MOUNTED

DRAWN BY: S.A.D. DATE: 1/07 REVISION: .0

DIMENSION PRINT: 40244

Section AWF Page 2350