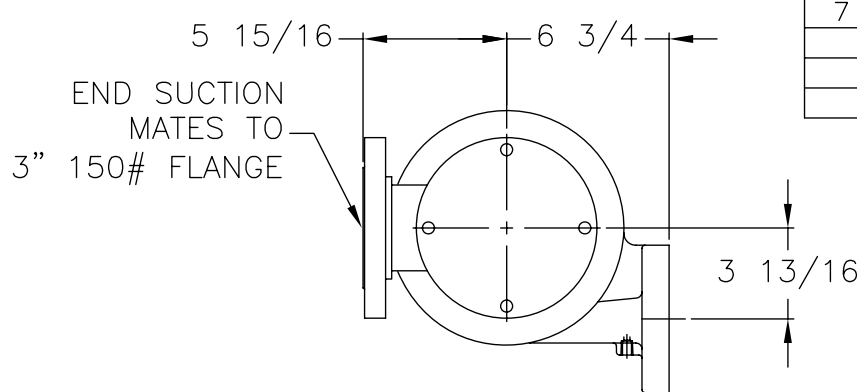


MOTOR SIZE	"A"
5 HP TC FRAME	50.75"
7 1/2 HP TC FRAME	52.25"
10 HP TC FRAME	53.75"
15 HP TC FRAME	56.75"
20 HP TC FRAME	58.5"

ALL DIMENSIONS APPROXIMATE



**SHIPCO®**  
**PUMPS**  
 MANUFACTURED BY  
 SHIPPENSBURG PUMP COMPANY INC.  
 P.O. Box 279 Shippensburg, Pa. 17257  
 PHONE 717 532-7321 / FAX 717 532-7704  
 WWW.SHIPCO PUMPS.COM  
 SHIPCO® IS A REGISTERED TRADEMARK OF SHIPPENSBURG PUMP CO., INC.

**MODEL 221 AWF-B**  
**VERTICAL MOUNTED**

DRAWN BY	S.A.D.	DATE	1/07	REVISION	.0
DIMENSION PRINT		<b>40245</b>			
<b>Section AWF Page 2375</b>					