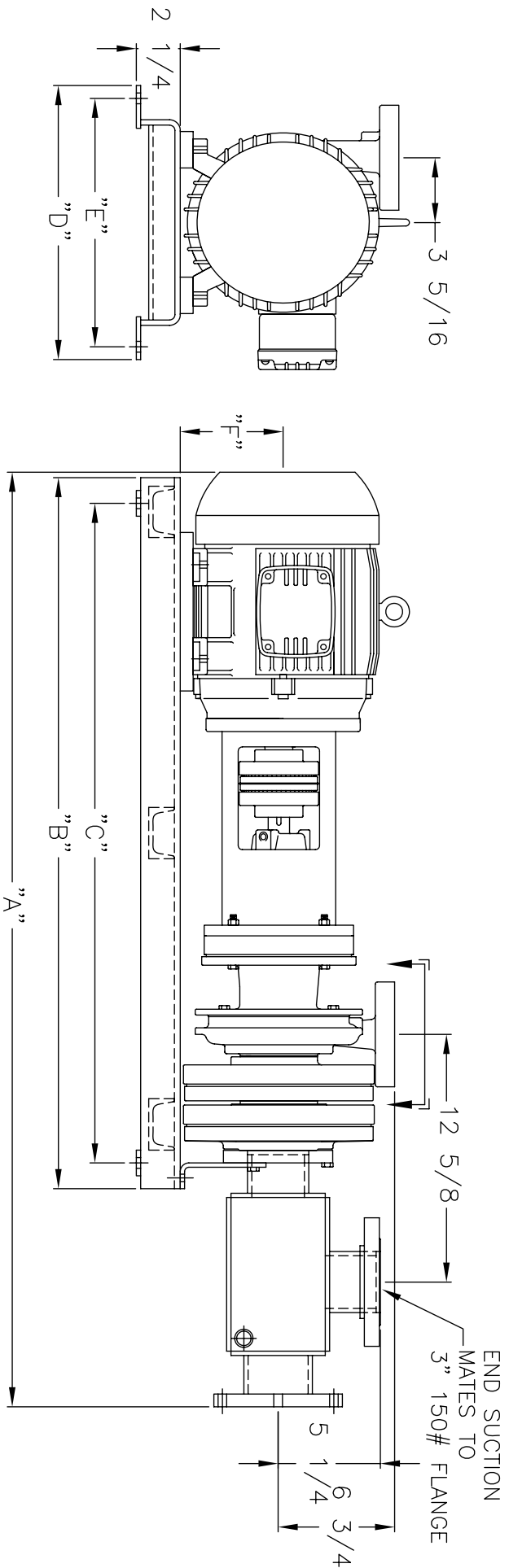
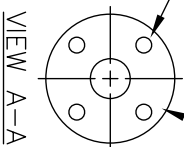


MOTOR SIZE	"A"	"B"	"C"	"D"	"E"	"F"
10 HP TC FRAME	56 1/4"	43 1/2"	40 1/2"	16"	14 1/2"	6"
15 HP TC FRAME	59 1/8"	46"	43"	19"	17 1/2"	7"
20 HP TC FRAME	61"	46"	43"	19"	17 1/2"	7"
25 HP TC FRAME	61 3/4"	48"	45"	20"	18 1/2"	8"
30 HP TC FRAME	63 1/4"	50"	47"	20"	18 1/2"	8"

ALL DIMENSIONS APPROXIMATE

DISCHARGE FLANGE MATES TO 1 1/2" 300# FLANGE
 (4) 3/4" HOLES ON 4 1/2" B.C.



SHIPCO®
PUMPS

MANUFACTURED BY

SHIPPENSBURG PUMP COMPANY INC.
 P.O. Box 279 Shippenburg, Pa. 17257
 PHONE 717 532-7321 / FAX 717 532-7704
 WWW.SHIPCOPIUMPS.COM

SHIPCO® IS A REGISTERED TRADEMARK OF SHIPPENSBURG PUMP CO., INC.

MODEL 321 AWF-B
HORIZONTAL MOUNTED

DRAWN BY	DATE	REVISION
S.A.D.	1/07	.0

DIMENSION PRINT **40246**

Section AWF Page 2450