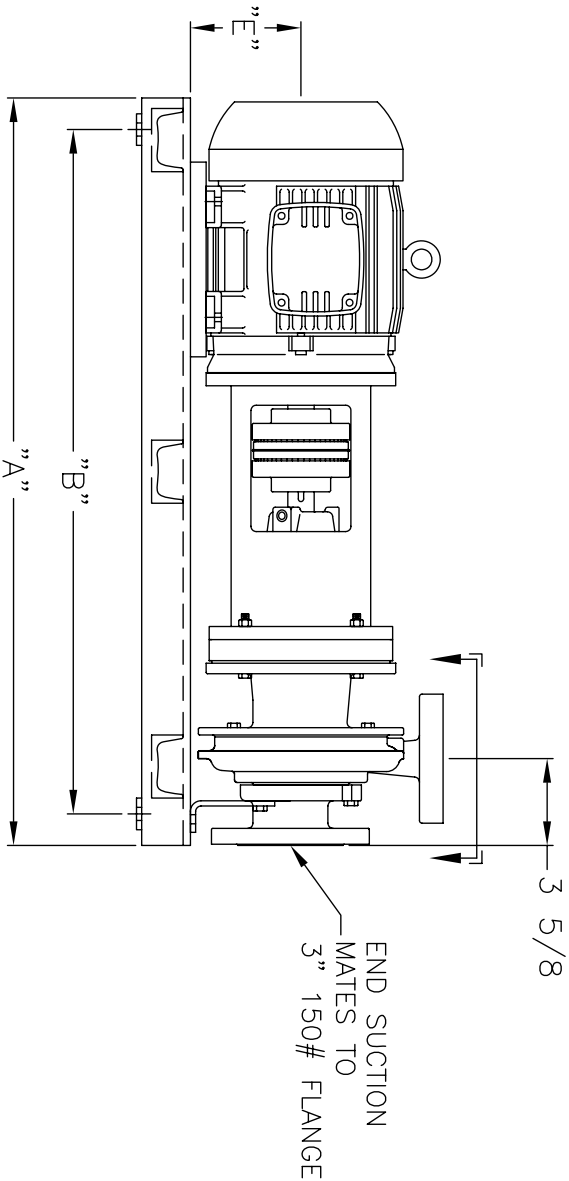
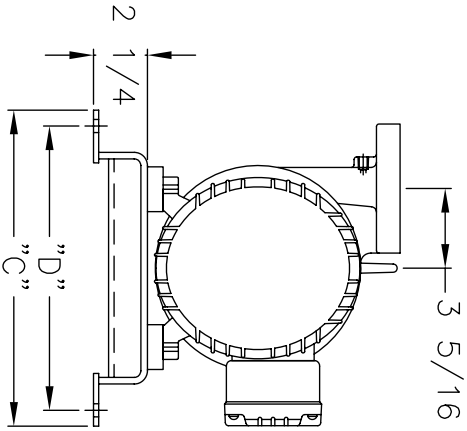
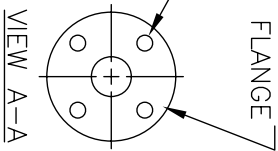


MOTOR SIZE	"A"	"B"	"C"	"D"	"E"
3 HP TC FRAME	34 1/2"	31 1/2"	15"	13 1/2"	5 1/4"
5 HP TC FRAME	35 1/2"	32 1/2"	15"	13 1/2"	5 1/4"
7 1/2 HP TC FRAME	37 1/2"	34 1/2"	16"	14 1/2"	6"
10 HP TC FRAME	38 1/2"	35 1/2"	16"	14 1/2"	6"
15 HP TC FRAME	41 1/2"	38 1/2"	19"	17 1/2"	7"

ALL DIMENSIONS APPROXIMATE

DISCHARGE FLANGE MATES TO 1 1/2" 300# FLANGE

(4) 3/4" HOLES ON 4 1/2" B.C.



SHIPCO®
SPUMPS

MANUFACTURED BY

SHIPPENSBURG PUMP COMPANY INC.

P.O. Box 279 Shippenburg, Pa. 17257

PHONE 717 532-7321 / FAX 717 532-7704

WWW.SHIPCOPIUMPS.COM

SHIPCO® IS A REGISTERED TRADEMARK OF SHIPPENSBURG PUMP CO., INC.

MODEL 121 AWF
HORIZONTAL MOUNTED

DRAWN BY	DATE	REVISION
S.A.D.	1/07	.0

DIMENSION PRINT **40248**