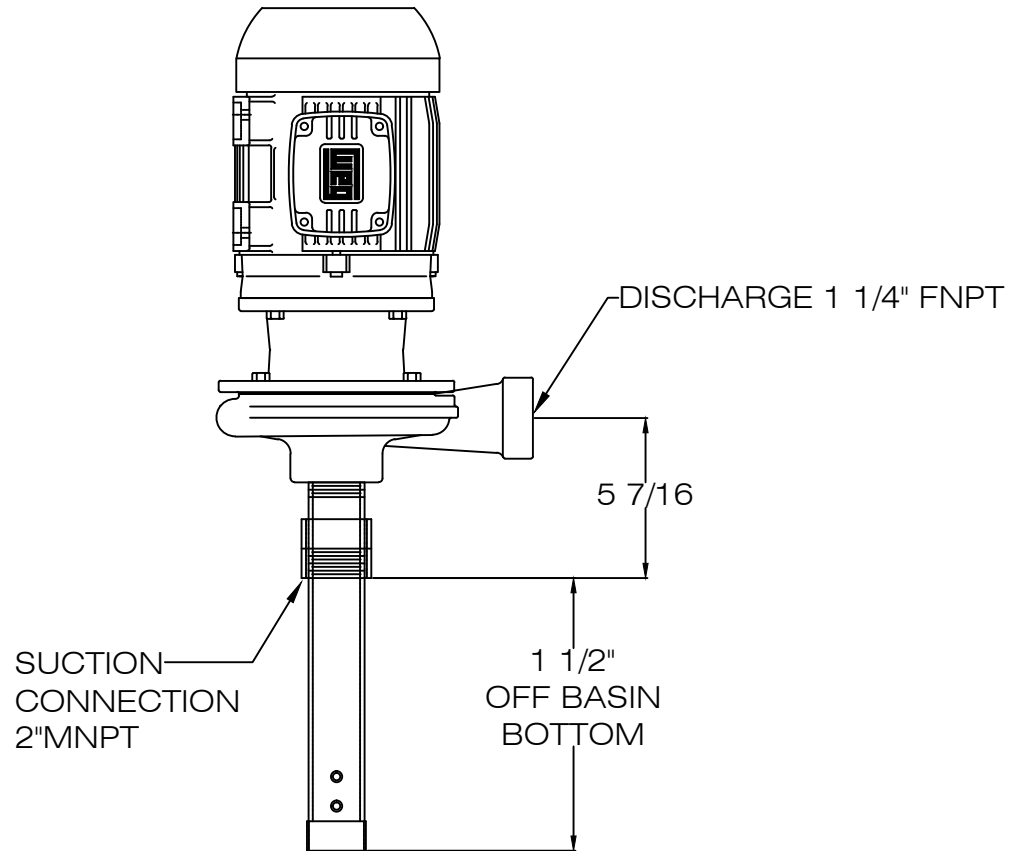
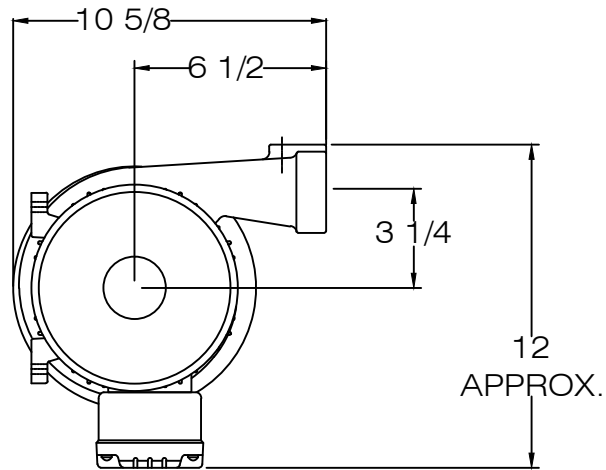


ALL DIMENSIONS ARE APPROXIMATE



MAX RECEIVER DEPTH 24"

BLEED LINE NOT SHOWN BUT MUST BE RUN  
BLEED LINE MUST BE RUN THE LENGTH OF COLUMN

**SHIPCO®**  
PUMPS

MANUFACTURED BY  
SHIPPENSBURG PUMP COMPANY INC.  
P.O. Box 279 Shippensburg, Pa. 17257  
PHONE 717 532-7321 / FAX 717 532-7704  
WWW.SHIPCOPUMPS.COM

SHIPCO® IS A REGISTERED TRADEMARK OF SHIPPENSBURG PUMP CO., INC.

**Model 127-MU**  
**UNDERGROUND PUMP**

DRAWN BY J.G.B.	DATE 6/14	REVISION .0
--------------------	--------------	----------------

DIMENSION PRINT **40331**

**Section U Page 0775**