

SHIPCO® SPUMPS

MANUFACTURED BY

SHIPPENSBURG PUMP COMPANY INC.

P.O. Box 279 Shippenburg, Pa. 17257

PHONE 717 532-7321 / FAX 717 532-7704

WWW.SHIPCO-PUMPS.COM

SHIPCO® IS A REGISTERED TRADEMARK OF SHIPPENSBURG PUMP CO., INC.

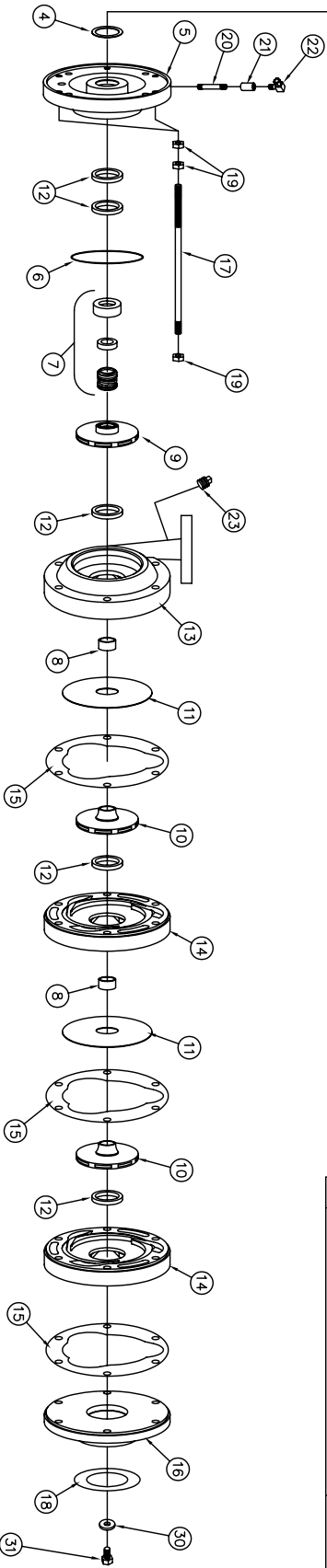
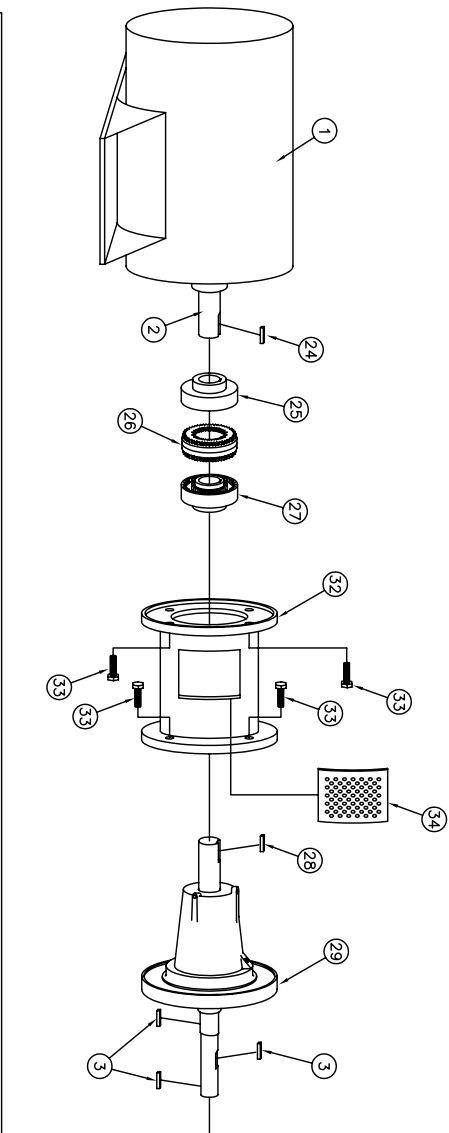
316 AWF Horizontal 182, 184 & 213 TC Frame Three Phase Flexible Coupled

DATE 11/08 REVISION .4

DRAWN BY M.LINEAWEAVER

PARTS LIST # PL-81615

AWF16-3STG-S



PARTS LIST		NO.	DESCRIPTION	PART NO.	QTY.
1	MOTOR / BEARING HOUSING	TC/JM FRAME	1	1	
2	MOTOR SHAFT		1	1	
3	KEY (IMPELLER)	KEYBAR-S8-013-OVR	3	1	
4	WATER SLINGER	SLINGER-SDWS99996	1	1	
5	PUMP HEAD	HEAD-SDPH00581	1	1	
6	HEAD GASKET (O-RING)	ORING-SDP000674	1	1	
7	MECHANICAL SEAL 1 1/8"	MCHSEAL-SDPS00155-SV	1	1	
8	SPACER SLEEVE	SPACER-SDPS00579	2	2	
9	IMPELLER (3rd STAGE)	IMP-SDPI00042-1-4 7/8	1	1	
10	IMPELLER (1st thru 2nd STAGE)	IMP-SDPI00042-1-A-4 7/8	2	2	
11	DIVIDER PLATE	DIVPLT-SDPP00585	2	2	
12	WEARING RING	WRGRING-SDPWR0032	5	5	
13	PUMP VOLUTE CASE	CASE-SDPC00577	1	1	
14	PASSAGE	PASSAGE-SDPP00576	2	2	
15	SUCTION HOUSING GASKET	GASKET-SDPG03886	3	3	
16	SUCTION HOUSING	SUCHSG-SDPF000862	1	1	
17	CLAMPING BOLT	CLAMPINGBOLT-SDPB00595-A	6	6	
18	SUCTION GASKET	FLG-ASA-SP15-GKT-0250	1	1	
19	HEX NUT (STAGE RETAINING NUT)	FRNUT-5HZ-0050C-2	18	18	
20	1/4" NIPPLE	NIPPLE-B-0025x250	1	1	
21	1/4" FULL COUPLING	CLP-F08-0025	1	1	
22	1/4" 90° COMPRESSION FITTING	CPMFTG-R-MELL-038-025	1	1	
23	1/4" PIPE PLUG	PF-PLUSGQ-SLD-B-0025	1	1	
24	KEY (MOTOR SIDE)	PER MOTOR ORDERED	1	1	
25	WOODS COUPLING (MOTOR)	PER MOTOR ORDERED	1	1	
26	SURE-FLEX SLEEVE	PER MOTOR ORDERED	1	1	
27	WOODS COUPLING (PUMP SIDE)	PER MOTOR ORDERED	1	1	
28	KEY (PUMP SIDE)	KEYBAR-S8-025-OVR	1	1	
29	BEARING ASSEMBLY	BRCHSG-SDPBH00685	1	1	
30	IMPELLER WASHER	IMPWHR-SDPRW00671	1	1	
31	IMPELLER BOLT		1	1	
32	ADAPTOR ASSEMBLY	BRCHSG-SDPH00587	1	1	
33	MOUNTING BOLT		8	8	
34	COUPLING GUARD SCREEN	BRCHSG-GUARDSCREEN-S3333331	1	1	