

SHIPCO® SPUMPS

MANUFACTURED BY

SHIPPENSBURG PUMP COMPANY INC.

P. O. Box 279 Shippenburg, Pa. 17257

PHONE 717 532-7321 / FAX 717 532-7704

WWW.SHIPCO-PUMPS.COM

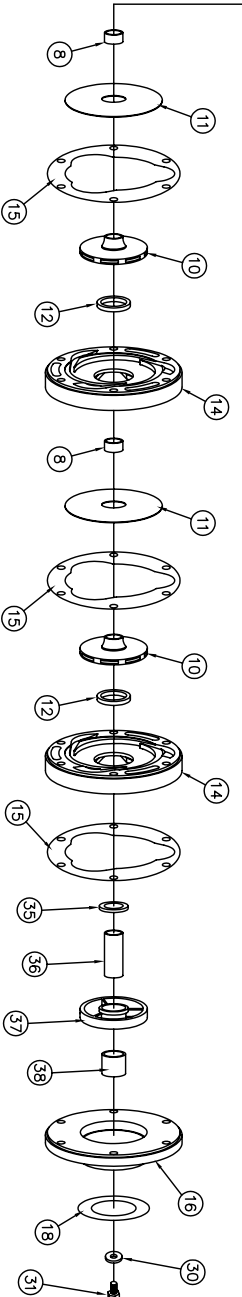
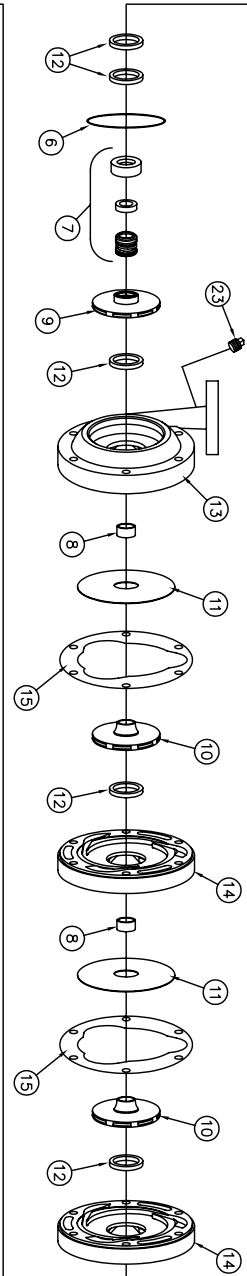
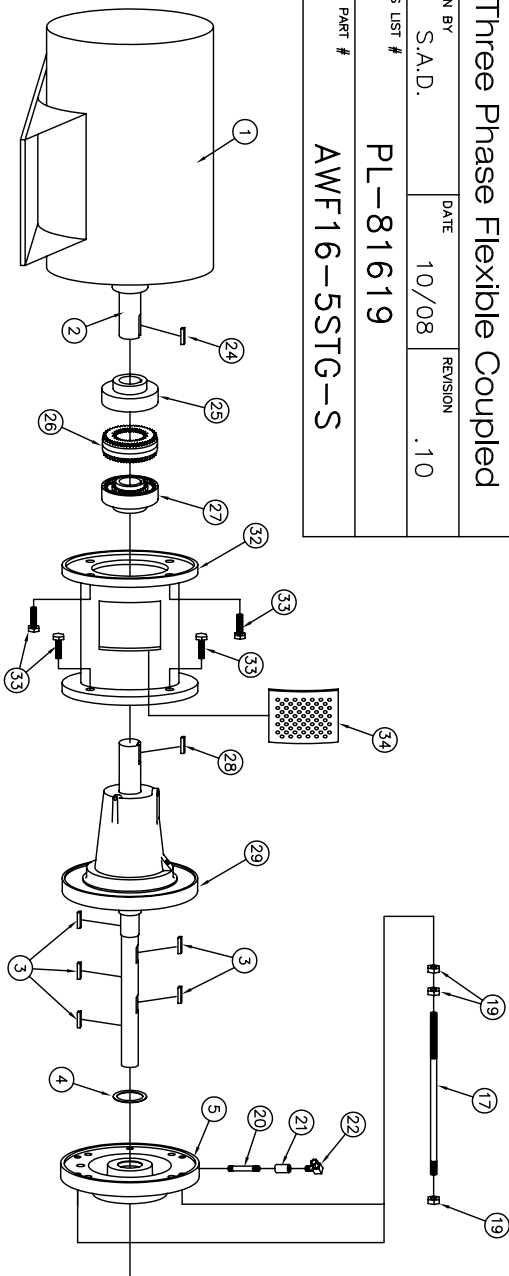
SHIPCO® IS A REGISTERED TRADEMARK OF SHIPPENSBURG PUMP CO., INC.

516 AWF Horizontal 184,213 & 215 TC Frame Three Phase Flexible Coupled

DRAWN BY S.A.D. DATE 10/08 REVISION .10

PARTS LIST # PL-81619

AWF16-5STG-S



NO.	DESCRIPTION	PART NO.	QTY.
1	MOTOR / BEARING HOUSING	TC/JM FRAME	1
2	MOTOR SHAFT		1
3	KEY (IMPELLER)	KEYBAR-S8-013-OVR	5
4	WATER SLINGER	SLINGER-SDWS9996	1
5	PUMP HEAD	HEAD-SDPH00581	1
6	HEAD GASKET (O-RING)	O-RING-SDP000674	1
7	MECHANICAL SEAL 1 1/8"	MCHSEAL-SDPS00155-SV	1
8	SPACER SLEEVE	SPACER-SDP500579	4
9	IMPELLER (5th STAGE)	IMP-SDP100042-1-4 7/8	1
10	IMPELLER (1st thru 4th STAGE)	IMP-SDP100042-1-A-4 7/8	4
11	DIVIDER PLATE	DIVPLT-SDPP00585	4
12	WEARING RING	WRGRING-SDPWR0032	7
13	PUMP VOLUTE CASE	CASE-SDPC00577	1
14	PASSAGE	PASSAGE-SDPP00576	4
15	SUCTION HOUSING GASKET	GASKET-SDPG03886	5
16	SUCTION HOUSING	SUCHSG-SDPF00582	1
17	CLAMPING BOLT	CLAMPINGBOLT-SDPB00595-C	6
18	SUCTION GASKET	FLG-ASA-SP15-GKT-0250	1
19	HEX NUT (STAGE RETAINING NUT)	FTRNUT-SH2-0050C-2	18
20	1/4" NIPPLE 1/4 x 2 1/2	NIPPLE-B-0025x250	1
21	1/4" FULL COUPLING	CLP-FCB-0025	1
22	1/4" 90° COMPRESSION FITTING	CPMFTG-R-MELL-038-025	1
23	1/4" PIPE PLUG	PF-PLUSGQ-SLD-B-0025	1
24	KEY (MOTOR SIDE)	PER MOTOR ORDERED	1
25	WOODS COUPLING (MOTOR)	PER MOTOR ORDERED	1
26	SURE-FLEX SLEEVE	PER MOTOR ORDERED	1
27	WOODS COUPLING (PUMP SIDE)	PER MOTOR ORDERED	1
28	KEY (PUMP SIDE)	KEYBAR-S8-025-OVR	1
29	BEARING ASSEMBLY	BRGHSG-SDPBH00687	1
30	IMPELLER WASHER	IMPWHR-SDPRW00671	1
31	IMPELLER CAPSCREW	FTRCP-SH2-0050C-0075-2	1
32	ADAPTOR ASSEMBLY	BRGHSG-SDPH00587	1
33	MOUNTING BOLT	-	8
34	COUPLING GUARD SCREEN	BRGHSG-GUARDSCREEN-S3333331	1
35	IMPELLER WASHER	IMPWHR-SDPRW00743	1
36	SHAFT SLEEVE	SHTSLVE-SDP000742	1
37	IDLER BEARING HOUSING	BRGHSG-SDPS00748	1
38	IDLER BEARING	BEARING-BALT-CUTLASS	1