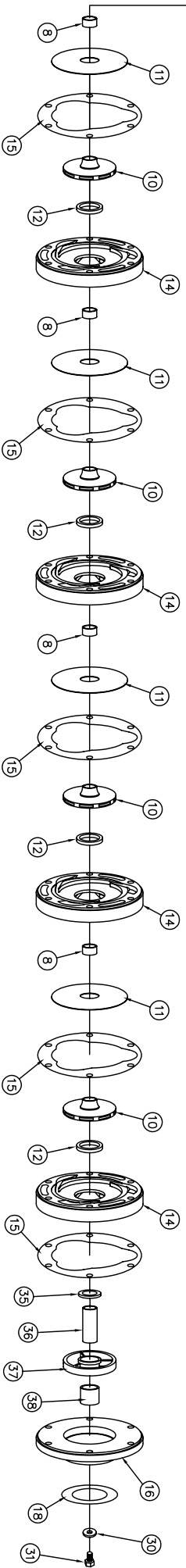
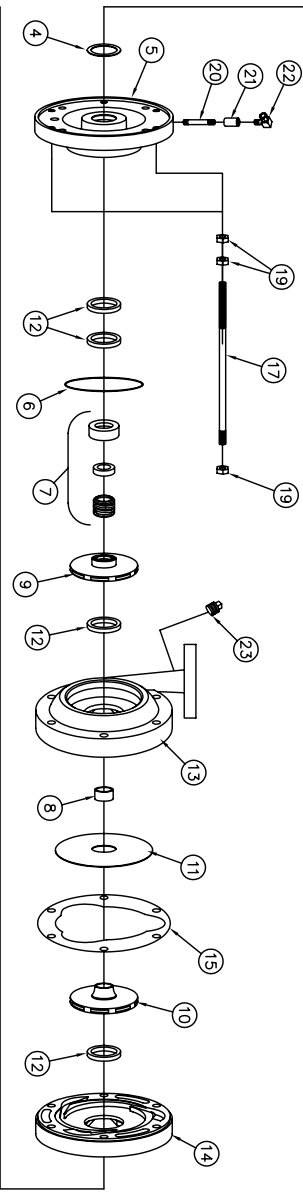
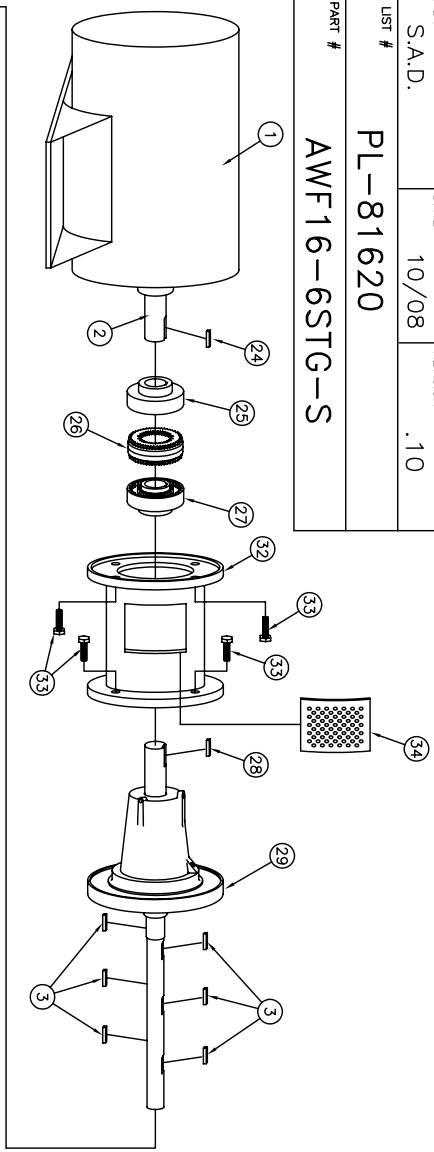


SHIPCO® PUMPS

MANUFACTURED BY
 SHIPPENSBURG PUMP COMPANY INC.
 P.O. Box 279 Shippenburg, Pa. 17257
 PHONE 717 532-7321 / FAX 717 532-7704
 WWW.SHIPCO-PUMPS.COM
 SHIPCO® IS A REGISTERED TRADEMARK OF SHIPPENSBURG PUMP CO., INC.

616 AWF Horizontal 184, 213, 215 & 254 TC Frame Three Phase Flexible Coupled

DRAWN BY S.A.D. DATE 10/08 REVISION .10
 PARTS LIST # PL-81620
 AWF16-6STG-S



PARTS LIST			
NO.	DESCRIPTION	PART NO.	QTY.
1	MOTOR / BEARING HOUSING	TC/JM FRAME	1
2	MOTOR SHAFT		1
3	KEY (IMPELLER)	KEYBAR-S8-013-OVR	6
4	WATER SLINGER	SLINGER-SDWS99997	1
5	PUMP HEAD	HEAD-SDPH00581	1
6	HEAD GASKET (O-RING)	ORING-SDPO00674	1
7	MECHANICAL SEAL 1 1/8"	MCHSEAL-SDPS00155-SV	1
8	SPACER SLEEVE	SPACER-SDPS00579	5
9	IMPELLER (6th STAGE)	IMP-SDPI00042-1-4 7/8	1
10	IMPELLER (1st thru 5th STAGE)	IMP-SDPI00042-1-A-4 7/8	5
11	DIVIDER PLATE	DIVPLT-SDPP00585	5
12	WEARING RING	WRGRING-SDPWR0032	8
13	PUMP VOLUTE CASE	CASE-SDPC00577	1
14	PASSAGE	PASSAGE-SDPP00576	5
15	SUCTION HOUSING GASKET	GASKET-SDPG03886	6
16	SUCTION HOUSING	SUCHSG-SDPF00582	1
17	CLAMPING BOLT	CLAMPINGBOLT-SDPB00595-D	6
18	SUCTION GASKET	FLG-ASA-SF15-QKT-0250	1
19	HEX NUT (STAGE RETAINING NUT)	FTRNUT-SHZ-0050C-2	18
20	1/4" NIPPLE	NIPPLE-B-0025x250	1
21	1/4" FULL COUPLING	CLP-FGB-0025	1
22	1/4" 90° COMPRESSION FITTING	CPMFTG-R-MEL-038-025	1
23	1/4" PIPE PLUG	PF-PLUGSQ-SLD-B-0025	1
24	KEY (MOTOR SIDE)	PER MOTOR ORDERED	1
25	WOODS COUPLING (MOTOR)	PER MOTOR ORDERED	1
26	SURE-FLEX SLEEVE	PER MOTOR ORDERED	1
27	WOODS COUPLING (PUMP SIDE)	PER MOTOR ORDERED	1
28	KEY (PUMP SIDE)	KEYBAR-S8-025-OVR	1
29	BEARING ASSEMBLY	BRHSG-SDPBH00688	1
30	IMPELLER WASHER	IMPWHR-SDPRW0671	1
31	IMPELLER CAPSCREW	FTRCP-SHZ-0050C-0075-2	1
32	ADAPTOR ASSEMBLY	BRHSG-SDPH00587	1
33	MOUNTING BOLT	-	8
34	COUPLING GUARD SCREEN	BRHSG-GUARDSCREEN-S3333331	1
35	IMPELLER WASHER	IMPWHR-SDPRW00743	1
36	SHAFT SLEEVE	SHTSLVE-SDPC00742	1
37	IDLER BEARING HOUSING	BRHSG-SDPS00748	1
38	IDLER BEARING	BEARING-BAIT-CUTLASS	1