

SHIPCO® SPUMPS

MANUFACTURED BY

SHIPPENSBURG PUMP COMPANY INC.

P.O. Box 279 Shippenburg, Pa. 17257

PHONE 717 532-7321 / FAX 717 532-7704

WWW.SHIPCO-PUMPS.COM

SHIPCO® IS A REGISTERED TRADEMARK OF SHIPPENSBURG PUMP CO., INC.

316 AWF Horizontal

145 TC Frame

Three Phase Flexible Coupled

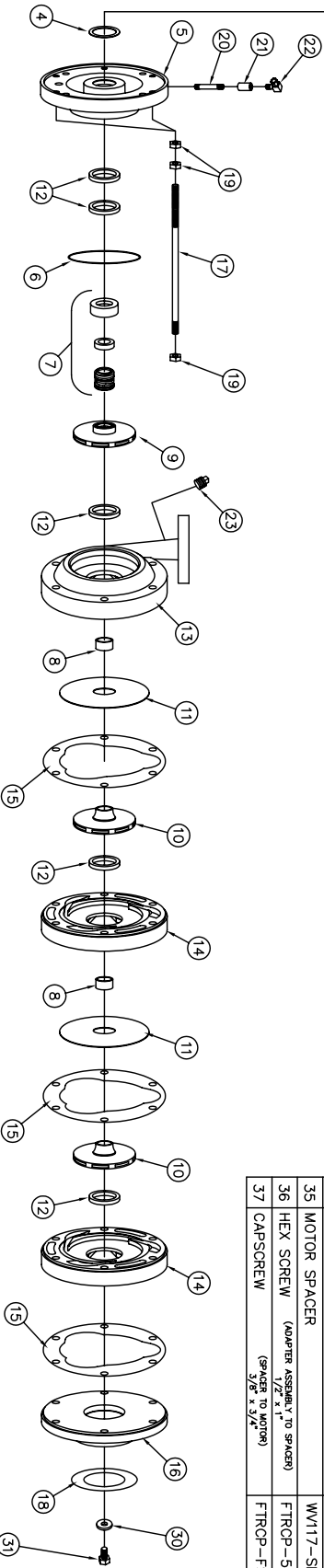
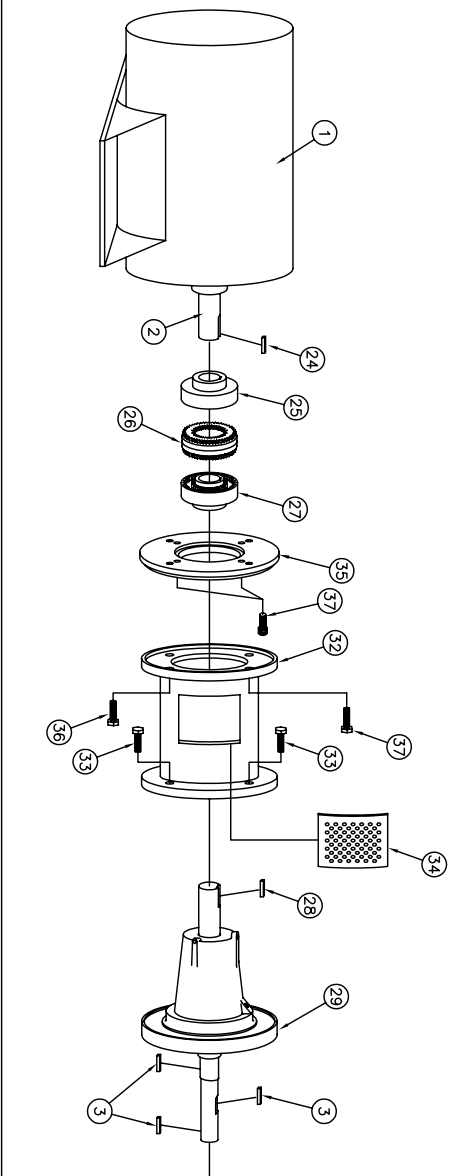
DATE 11/08 REVISION .4

DRAWN BY M.E.R.

PARTS LIST #

PL-81623

AWF16-3 STG-2HP



NO.	DESCRIPTION	PART NO.	QTY.
1	MOTOR / BEARING HOUSING	TC/JM FRAME	1
2	MOTOR SHAFT		1
3	KEY (IMPELLER)	KEYBAR-S8-013-OVR	3
4	WATER SLINGER	SLINGER-SDWS99996	1
5	PUMP HEAD	HEAD-SDPH00581	1
6	HEAD GASKET (O-RING)	ORING-SDP000674	1
7	MECHANICAL SEAL 1 1/8"	MCHSEAL-SDPS00155-SV	1
8	SPACER SLEEVE	SPACER-SDPS00579	2
9	IMPELLER (3rd STAGE)	IMP-SDPI00042-1-4 7/8	1
10	IMPELLER (1st thru 2nd STAGE)	IMP-SDPI00042-1-A-4 7/8	2
11	DIVIDER PLATE	DIVPLT-SDPP00585	2
12	WEARING RING	WRGRING-SDPWR0032	5
13	PUMP VOLUTE CASE	CASE-SDPC00577	1
14	PASSAGE	PASSAGE-SDPP00576	2
15	SUCTION HOUSING GASKET	GASKET-SDPG03886	3
16	SUCTION HOUSING	SUCHSG-SDPF000862	1
17	CLAMPING BOLT	CLAMPINGBOLT-SDPB00595-A	6
18	SUCTION GASKET	FLG-ASA-SPI5-GKT-0250	1
19	HEX NUT (STAKE RETAINING NUT)	FTRNUT-SHZ-0050C-2	18
20	1/4" NIPPLE	NIPPLE-B-0025x250	1
21	1/4" FULL COUPLING	CLP-F08-0025	1
22	1/4" 90° COMPRESSION FITTING	CPMFTG-R-MELL-038-025	1
23	1/4" PIPE PLUG	PF-PLUSGQ-SLD-B-0025	1
24	KEY (MOTOR SIDE)	KEYBAR-S8-025-OVR	1
25	WOODS COUPLING (MOTOR)	PER MOTOR ORDERED	1
26	SURE-FLEX SLEEVE	PER MOTOR ORDERED	1
27	WOODS COUPLING (PUMP SIDE)	PER MOTOR ORDERED	1
28	KEY (PUMP SIDE)	KEYBAR-S8-025-OVR	1
29	BEARING ASSEMBLY	BRCHSG-SDPBH00685	1
30	IMPELLER WASHER	IMPWHR-SDPRW00671	1
31	IMPELLER BOLT	-	1
32	ADAPTOR ASSEMBLY	BRCHSG-SDPH00587	1
33	MOUNTING BOLT	FTRCP-SHZ-0050C-0150-2	6
34	COUPLING GUARD SCREEN	BRCHSG-GUARDSCREEN-S3333331	1
35	MOTOR SPACER	WV117-SDP5000066	1
36	HEX SCREW (ADAPTOR ASSEMBLY TO SPACER)	FTRCP-SHZ-0050C-0100-2	4
37	CARSCREW (SCREW TO MOTOR)	FTRCP-FS8-0038C-0075-2	4