

# SHIPCO® PUMPS

MANUFACTURED BY

SHIPPENSBURG PUMP COMPANY INC.

P. O. Box 279 Shippenburg, Pa. 17257

PHONE 717 532-7321 / FAX 717 532-7704

WWW.SHIPCO-PUMPS.COM

SHIPCO® IS A REGISTERED TRADEMARK OF SHIPPENSBURG PUMP CO., INC.

## 316 AWF-B Vertical & Horizontal

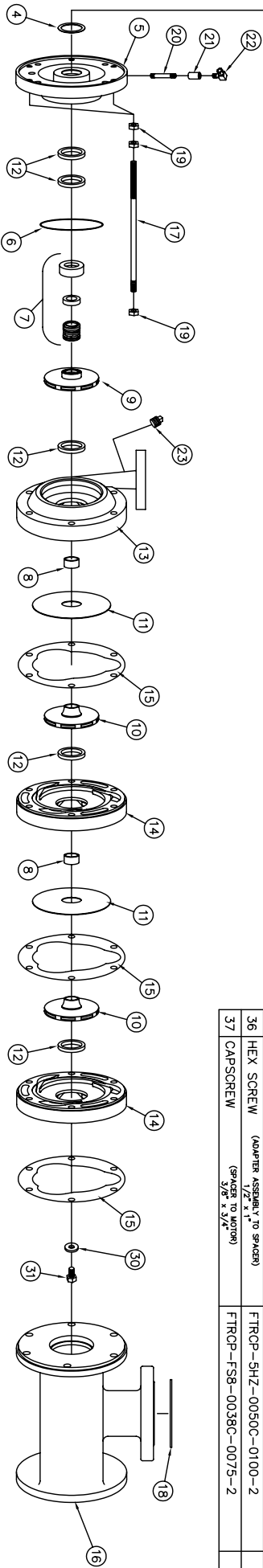
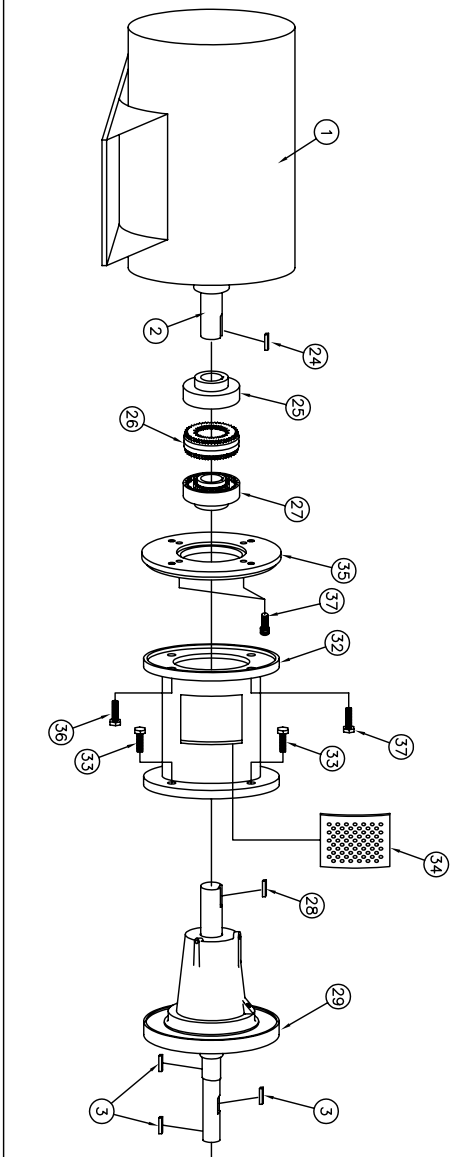
145 TC Frame

## Three Phase Flexible Coupled

DRAWN BY M.E.R. DATE 10/08 REVISION .3

PARTS LIST # PL-81629

AWF16B-3 STG-3HP



PARTS LIST		NO.	DESCRIPTION	PART NO.	QTY.
1	MOTOR / BEARING HOUSING	1	TC FRAME		1
2	MOTOR SHAFT	1	KEYBAR-S8-013-OVR		1
3	KEY (IMPELLER)	3	SLINGER-SDMS99997		3
4	WATER SLINGER	1	HEAD-SDPH00581		1
5	PUMP HEAD	1	ORING-SDP000674		1
6	HEAD GASKET (O-RING)	1	MCHSEAL-SDPS00155-T		1
7	MECHANICAL SEAL 1 1/8"	1			1
8	SPACER SLEEVE	2	SPACER-SDPS000579		2
9	IMPELLER (3rd STAGE)	1	IMP-SDPH00042-1-4 7/8		1
10	IMPELLER (1st thru 2nd STAGE)	2	IMP-SDPH00042-1-A-4 7/8		2
11	DIVIDER PLATE	2	DIVPLT-SDPP00585		2
12	WEARING RING	5	WRGRING-SDPWR0032		5
13	PUMP VOLUTE CASE	1	CASE-SDPC000577		1
14	PASSAGE	2	PASSAGE-SDPP000576		2
15	SUCTION HOUSING GASKET	3	ORING-SDPG03886		3
16	SUCTION HOUSING (HORIZONTAL MOUNT)	1	SUCHSG-SDPH000747		1
16	SUCTION HOUSING (VERTICAL MOUNT)	1	SUCHSG-SDPH000747-A		1
17	CLAMPING BOLT	6	CLAMPINGBOLT-SDPB00995-A		6
18	SUCTION GASKET	1	FLG-ASA-SPI5-GKT-0300		1
19	HEX NUT (STAGE BEARING NUT)	18	FTRNUT-SHZ-0050C-2		18
20	1/4" NIPPLE 1/4 x 2 1/2	1	NIPPLE-B-00235x250		1
21	1/4" FULL COUPLING	1	CLP-FCB-0025		1
22	1/4" 90° COMPRESSION	1	CPMFTG-R-MELL-038-025		1
23	1/4" PIPE PLUG	1	PF-PLUSQ-SLD-B-0025		1
24	KEY (MOTOR SIDE)	1	KEYBAR-S8-025-OVR		1
25	WOODS COUPLING (MOTOR)	1	PER MOTOR ORDERED		1
26	SURE-FLEX SLEEVE	1	PER MOTOR ORDERED		1
27	WOODS COUPLING (PUMP SIDE)	1	PER MOTOR ORDERED		1
28	KEY (PUMP SIDE)	1	KEYBAR-S8-025-OVR		1
29	BEARING ASSEMBLY	1	BRGHSG-SDPBH00685		1
30	IMPELLER WASHER	1	IMPWHR-SDPRW00671		1
31	IMPELLER BOLT	1	-		1
32	ADAPTOR ASSEMBLY	1	BRGHSG-SDPH00587		1
33	MOUNTING BOLT	6	FTRCP-SHZ-0050C-0150-2		6
34	COUPLING GUARD SCREEN	1	BRGHSG-GUARDSCREEN-S3333331		1
35	MOTOR SPACER	1	WV117-SDPS000066		1
36	HEX SCREW (ADAPTER ASSEMBLY TO SPACER)	4	FTRCP-SHZ-0050C-0100-2		4
37	CAPSCREW (ADAPTER ASSEMBLY TO MOTOR)	4	FTRCP-FS8-0038C-0075-2		4