

# SHIPCO® SPUMPS

MANUFACTURED BY

SHIPPENSBURG PUMP COMPANY INC.

P.O. Box 279 Shippenburg, Pa. 17257

PHONE 717 532-7321 / FAX 717 532-7704

WWW.SHIPCO-PUMPS.COM

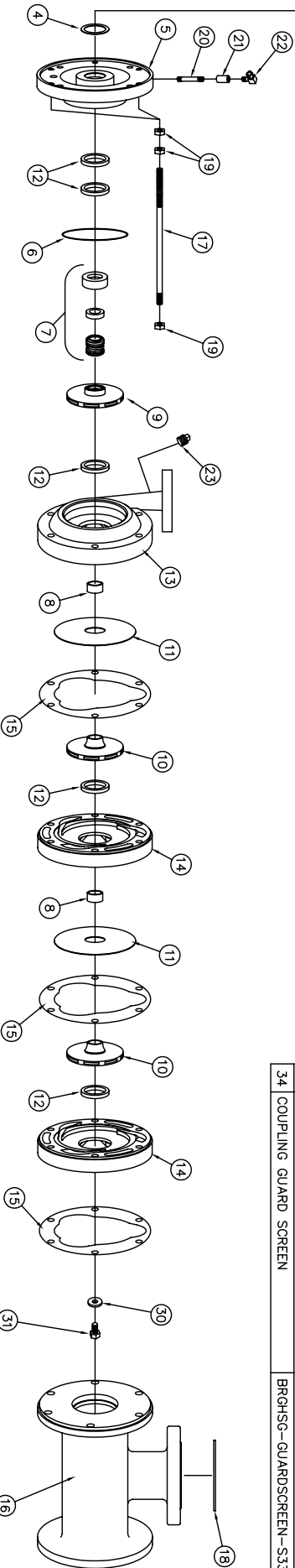
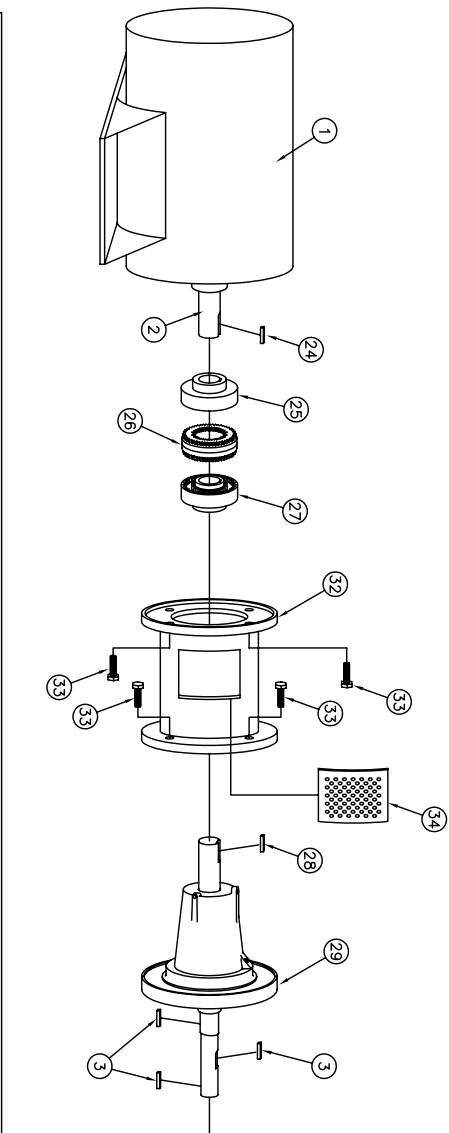
SHIPCO® IS A REGISTERED TRADEMARK OF SHIPPENSBURG PUMP CO., INC.

## 316 AWF-B Vertical & Horizontal 182, 184 & 213 TC Frame Three Phase Flexible Coupled

DRAWN BY M.LINEAWEAVER DATE 6/07 REVISION .2

PARTS LIST # PL-81630

CUBE PART # AWF16B-3STG-S



PARTS LIST			
NO.	DESCRIPTION	PART NO.	QTY.
1	MOTOR / BEARING HOUSING	TC FRAME	1
2	MOTOR SHAFT		1
3	KEY (IMPELLER)	KEYBAR-S8-013-0VR	3
4	WATER SLINGER	SLINGER-SDWS99997	1
5	PUMP HEAD	HEAD-SDPH00581	1
6	HEAD GASKET (O-RING)	ORING-SDP000674	1
7	MECHANICAL SEAL 1 1/8"	MCHSEAL-SDPS00155-T	1
8	SPACER SLEEVE	SPACER-SDPS00579	2
9	IMPELLER (3rd STAGE)	IMP-SDPI00042-1-4 7/8	1
10	IMPELLER (1st thru 2nd STAGE)	IMP-SDPI00042-1-A-4 7/8	2
11	DIVIDER PLATE	DIVPLT-SDPP00585	2
12	WEARING RING	WRGRING-SDPWR0032	5
13	PUMP VOLUTE CASE	CASE-SDPC00577	1
14	PASSAGE	PASSAGE-SDPP00576	2
15	SUCTION HOUSING GASKET	ORING-SDPC03886	3
16	SUCTION HOUSING (HORIZONTAL MOUNT)	SUCHSG-SDPH000747	1
16	SUCTION HOUSING (VERTICAL MOUNT)	SUCHSG-SDPH000747-A	1
17	CLAMPING BOLT	CLAMPINGBOLT-SDPB00595-A	6
18	SUCTION GASKET	FLG-ASA-SP15-GKT-0300	1
19	HEX NUT (STAGE RETAINING NUT)	FTRNUT-5HZ-0050C-2	18
20	1 1/4" NIPPLE 1/4 x 2 1/2	NIPPLE-B-0025x250	1
21	1 1/4" FULL COUPLING	CLP-FC8-0025	1
22	1 1/4" 90° COMPRESSION FITTING	CPMFTG-R-MELL-038-025	1
23	1 1/4" PIPE PLUG	PF-PLUSSQ-SLD-B-0025	1
24	KEY (MOTOR SIDE)	PER MOTOR ORDERED	1
25	WOODS COUPLING (MOTOR)	PER MOTOR ORDERED	1
26	SURE-FLEX SLEEVE	PER MOTOR ORDERED	1
27	WOODS COUPLING (PUMP SIDE)	PER MOTOR ORDERED	1
28	KEY (PUMP SIDE)	KEYBAR-S8-025-0VR	1
29	BEARING ASSEMBLY	BRHSG-SDPBH00685	1
30	IMPELLER WASHER	IMPWR-SDPPW00671	1
31	IMPELLER BOLT	-	1
32	ADAPTOR ASSEMBLY	BRHSG-SDPH00587	1
33	MOUNTING BOLT	-	8
34	COUPLING GUARD SCREEN	BRHSG-GUARDSCREEN-S3333331	1