

SHIPCO® PUMPS

MANUFACTURED BY

SHIPPENSBURG PUMP COMPANY INC.

P.O. Box 279 Shippenburg, Pa. 17257

PHONE 717 532-7321 / FAX 717 532-7704

WWW.SHIPCO.PUMPS.COM

SHIPCO® IS A REGISTERED TRADEMARK OF SHIPPENSBURG PUMP CO., INC.

221 AWF Horizontal

182,184,213,215

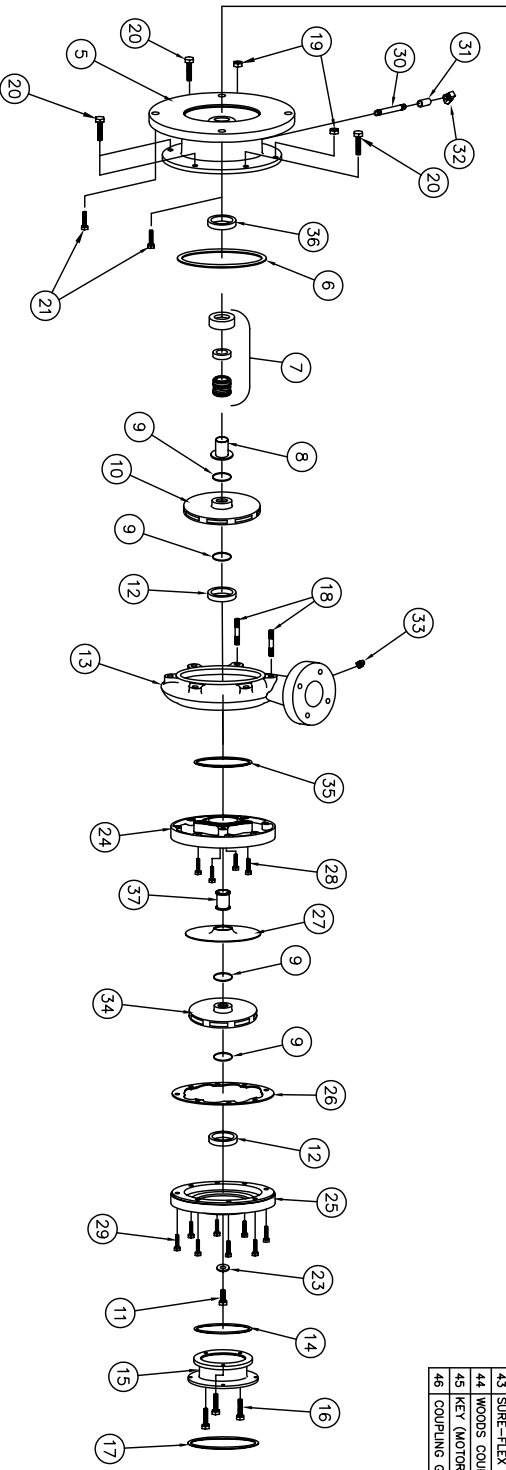
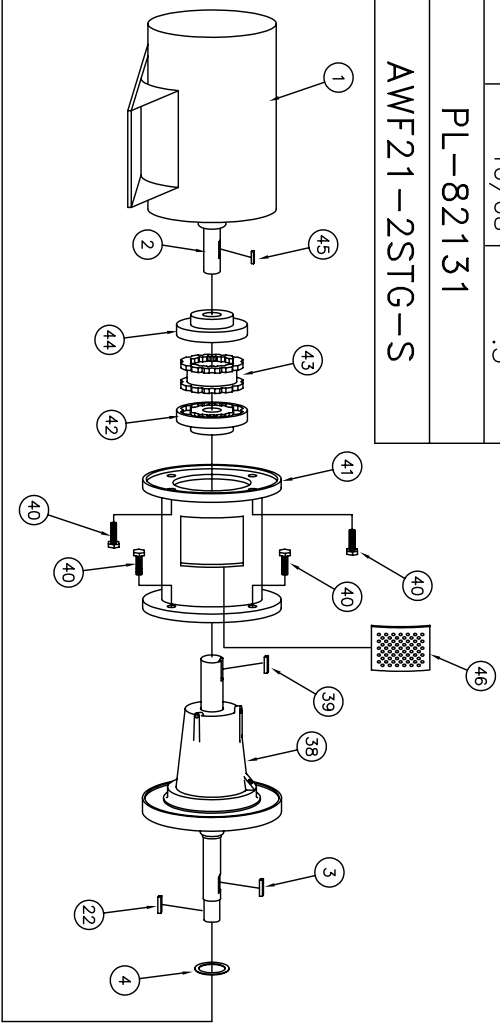
254 & 256TC Frame

Three Phase Flexible Coupled

DRAWN BY S.A.D. DATE 10/08 REVISION .5

PARTS LIST # PL-82131

QUEB PART # AWF21-2STG-S



NO.	DESCRIPTION	PART NO.	QTY.
1	MOTOR / BEARING HOUSING	TC/AM FRAME	1
2	MOTOR SHAFT		1
3	KEY (2nd STAGE)	KEYBAR-S8-019-OVR	1
4	WATER SLINGER	SLINGER-S8W99998	1
5	PUMP HEAD	HEAD-SDPH00080-1-A	1
6	HEAD GASKET (O-RING)	ORNG-SDP000089	1
7	MECHANICAL SEAL 1 1/8"	MCHSEAL-SDP500155-SV	1
8	SHAFT SLEEVE	SHTSLVE-SDP000218	1
9	O-RING (SHAFT SLEEVE)	ORNG-SDP000051	4
10	IMPELLER (2nd STAGE)	IMP-SDPH00600-C	1
11	CAPSCREW 3/8" x 1"	FRPCP-HS8-0038C-0100-2	1
12	WEARING RING	WRGRNG-SDPWR0190	2
13	PUMP CASE	CASE-SDP000652	1
14	SUCTION HOUSING GASKET	ORNG-SDPG003829	1
15	SUCTION HOUSING	SUCHSG-SDPH00050-B	1
16	CAPSCREWS (bearing housing)	FRPCP-SHZ-0038C-0125-2	3
17	SUCTION GASKET	FLG-ASA-SP15-OKT-0300	1
18	STUD (head to case)	FRSTUD-22-0038-0138-2	2
19	HEX NUT (head to case)	FRNUT-2HZ-0038C-2	2
20	CAPSCREWS (head to case)	FRPCP-SHZ-0038C-0100-2	4
21	CAPSCREWS (bottom to head)	FRPCP-SHZ-0038C-0125-2	4
22	KEY (1st STAGE)	KEYBAR-S8-019-OVR	1
23	IMPELLER WASHER	IMPWR-SDPWR00237	1
24	TWO-STAGE 2nd PASSAGE	PASSAGE-SDPH00116-B	1
25	TWO-STAGE 1st PASSAGE	PASSAGE-SDPH00115-A	1
26	GASKET (1st to 2nd passage)	GASKET-SDPH00120	1
27	DIVIDER PLATE	DVPLT-SDP000117	1
28	CAPSCREWS (1st stage to case)	FRPCP-SHZ-0038C-0100-2	4
29	CAPSCREWS (1st to 2nd passage)	FRPCP-SHZ-0038C-0175-2	8
30	1/4" NIPPLE	NIPPLE-B-0025x350	1
31	1/4" FULL COUPLING	CLP-F08-0025	1
32	1/4" 90° FITTING	CFMFTG-R-MELL-038-025	1
33	1/4" PIPE PLUG	PF-PLUG50-SLD-B-0025	1
34	IMPELLER (FIRST STAGE)	IMP-SDPH00600-B	1
35	O-RING	ORNG-SDP000046	1
36	WEARING RING	WRGRNG-SDPWR0189	1
37	SLEEVE (FIRST STAGE)	SHTSLVE-SDP000272	1
38	BEARING ASSEMBLY	BRGSC-SDPBR00680	1
39	KEY (PUMP SIDE)	KEYBAR-S8-025-OVR	1
40	CAPSCREWS	FRPCP-SHZ-0050C-0100-2	8
41	ADAPTOR ASSEMBLY	BRGSC-SDPH00587	1
42	WOODS COUPLING (PUMP SIDE)		1
43	SURE-FLEX SLEEVE		1
44	WOODS COUPLING (MOTOR)		1
45	KEY (MOTOR SIDE)		1
46	COUPLING GUARD SCREEN	BRGSC-GUARDSCREEN-S3333331	1