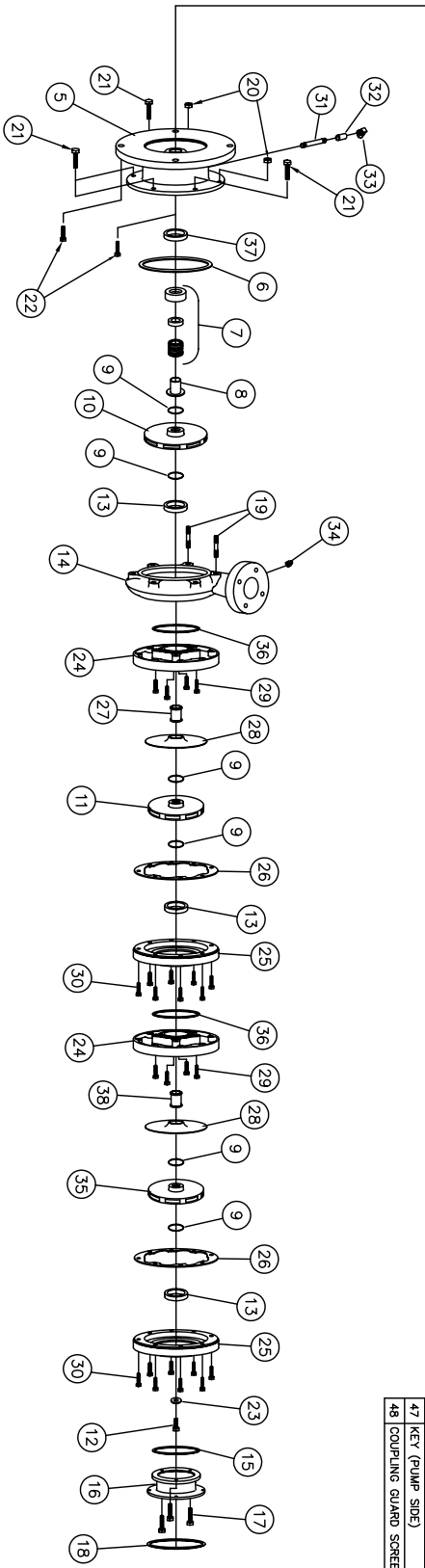
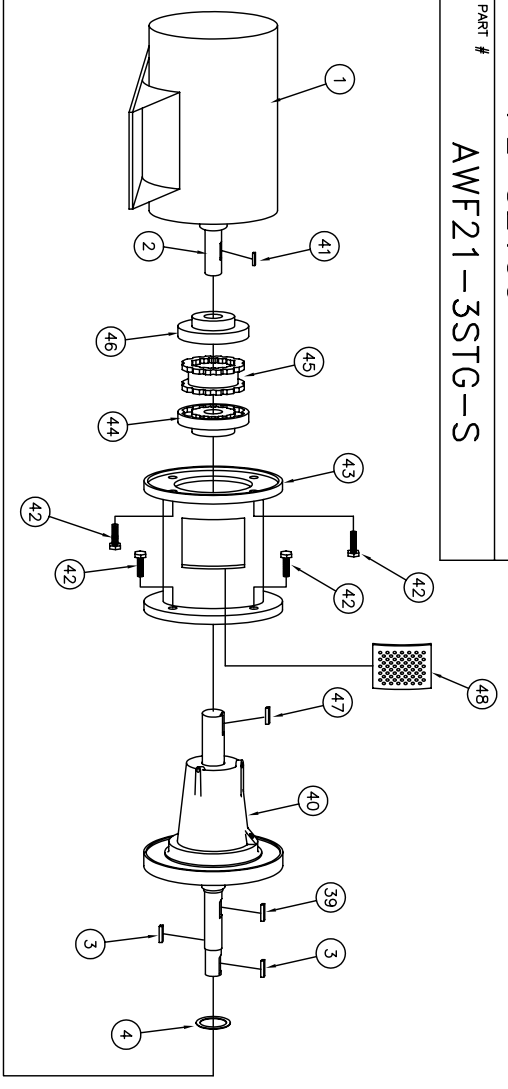




MANUFACTURED BY  
**SHIPCO PUMPS**  
 SHIPPENSBURG PUMP COMPANY INC.  
 P.O. Box 279 Shippenburg, Pa. 17257  
 PHONE 717 532-7321 / FAX 717 532-7704  
 WWW.SHIPCO.PUMPS.COM  
 SHIPCO® IS A REGISTERED TRADEMARK OF SHIPPENSBURG PUMP CO., INC.

## 321 AWF Horizontal 215, 254 & 256 TC Frame Three Phase Flexible Coupled

DRAWN BY	DATE	REVISION
S.A.D.	10/08	.6
PARTS LIST #	PL-82133	
QUBE PART #	AWF21-3STG-S	



NO.	DESCRIPTION	PART NO.	QTY.
1	MOTOR / BEARING HOUSING	TC/AM FRAME	1
2	MOTOR SHAFT	KEYBAR-SB-025-OVR	2
3	KEY (1st & 2nd STAGE)	SLINGER-S0WS9997	1
4	WATER SLINGER	HEAD-SDPH00346-A	1
5	PUMP HEAD	ORING-SDP00089	1
6	HEAD GASKET (O-RING)	MCHSEAL-SDP00355A-TV	1
7	MECHANICAL SEAL 1 1/2"	SHTSLVE-SDP00348	1
8	SHAFT SLEEVE	ORING-SDP00211	6
9	1" RING (SHAFT SLEEVE)	IMP-SDP00600-1-D	1
10	IMPELLER (3rd STAGE)	IMP-SDP00600-1-E	1
11	IMPELLER (2nd STAGE)	FTRCP-HSB-0050C-0100-2	1
12	CAPSCREW 1/2 x 1	WRGRING-SDP00190	3
13	WEARING RING	CASE-SDP00062	1
14	PUMP CASE	ORING-SDP003829	1
15	SUCTION HOUSING GASKET	SUCHSG-SDP000050-B	1
16	SUCTION HOUSING	FTRCP-SHZ-0038C-0125-2	3
17	CAPSCREWS (SUCTION HOUSING) 3/8 x 1 1/4	FTRCP-SHZ-0038C-0125-2	1
18	SUCTION GASKET	GASKET-SDP003848	1
19	STUD (4th to 5th STAGE)	FTRSTUD-ZZ-0038-0138-2	2
20	HEX NUT (4th to 5th STAGE)	FTRNUT-2H2-0038C-2	2
21	CAPSCREWS (4th to 5th STAGE) 3/8 x 1 1/4	FTRCP-SHZ-0038C-0100-2	4
22	CAPSCREWS (4th to 5th STAGE) 3/8 x 1 1/4	FTRCP-SHZ-0038C-0125-2	4
23	IMPELLER WASHER	IMPWR-SDP000749	1
24	TWO-STAGE 2nd PASSAGE	PASSAGE-SDP001016-C	2
25	TWO-STAGE 1st PASSAGE	PASSAGE-SDP001015-A	2
26	GASKET (1st to 2nd PASSAGE)	GASKET-SDP001020	2
27	SLEEVE (2nd PASSAGE)	SHTSLVE-SDP00347	1
28	DIVIDER PLATE	DVPLT-SDP000348	1
29	CAPSCREWS (1st STAGE to 2nd STAGE)	FTRCP-SKZ-0038C-0100-2	8
30	CAPSCREWS (1st to 2nd PASSAGE) 3/8 x 1 3/4	FTRCP-SHZ-0038C-0175-2	16
31	1/4" FULL COUPLING	CLP-F08-0025	1
32	1/4" NIPPLE	CLP-B-0025x350	1
33	1/4" 90° ELBOW	CPWTC-R-MELT-038-025	1
34	1/4" PIPE PLUG	PF-F08-0025	1
35	IMPELLER (FIRST STAGE)	IMP-SDP00600-1-F	1
36	O-RING	ORING-SDP000046	2
37	WEARING RING	WRGRING-SDPWR0189	1
38	SLEEVE (FIRST STAGE)	SHTSLVE-SDP00352	1
39	KEY (3rd STAGE)	WV120-SDPK00289	1
40	BEARING ASSEMBLY	BRGHS0-SDPH00881	1
41	KEY (MOTOR SIDE)	FTRCP-SHZ-0050C-0100-2	1
42	CAPSCREWS	BRGHS0-SDPH00987	8
43	ADAPTOR ASSEMBLY	PER MOTOR ORDERED	1
44	WOODS COUPLING (PUMP SIDE)	PER MOTOR ORDERED	1
45	SURE-FLEX SLEEVE	PER MOTOR ORDERED	1
46	WOODS COUPLING (MOTOR)	PER MOTOR ORDERED	1
47	KEY (PUMP SIDE)	KEYBAR-SB-025-OVR	1
48	COUPLING GUARD SCREEN	BRGHS0-GUARDSCREEN-S3333331	1