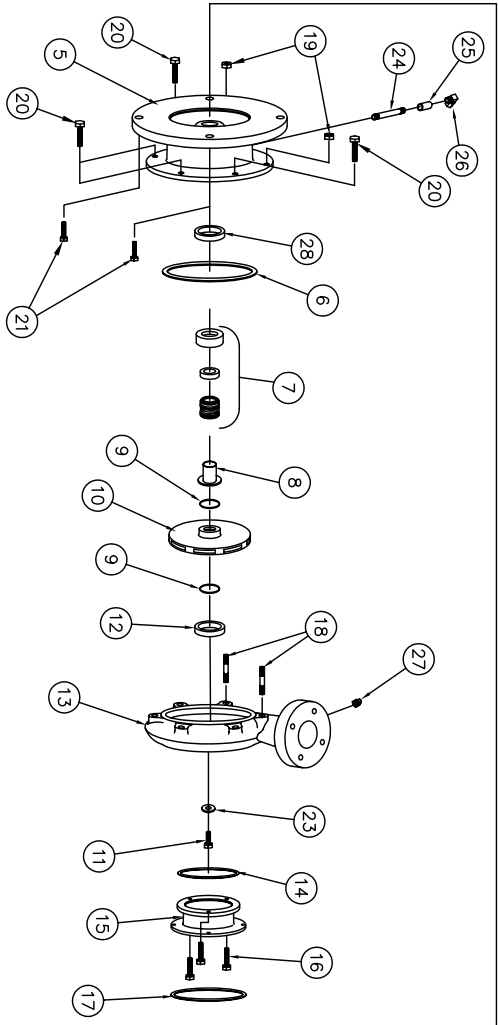
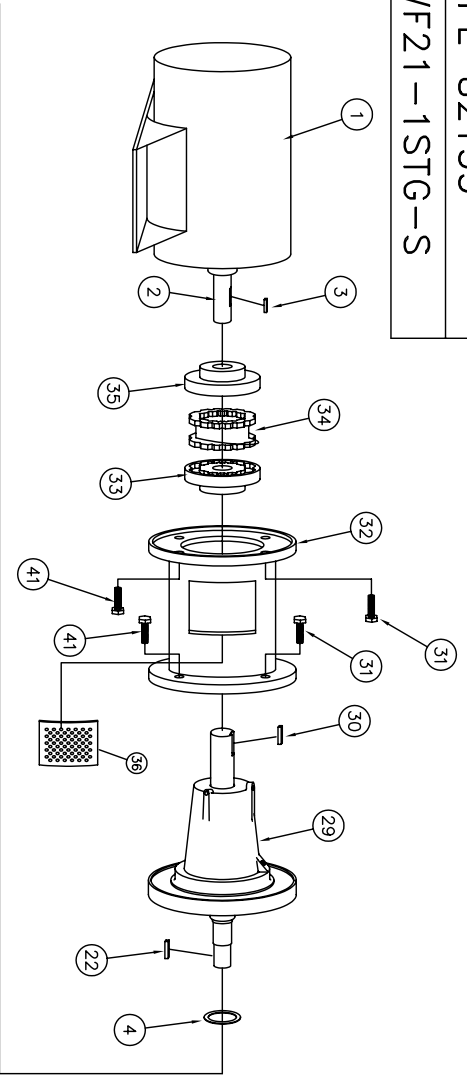




MANUFACTURED BY
 SHIPPENSBURG PUMP COMPANY INC.
 P.O. Box 279 Shippenburg, Pa. 17257
 PHONE 717 532-7321 / FAX 717 532-7704
 WWW.SHIPCO PUMPS.COM
 SHIPCO® IS A REGISTERED TRADEMARK OF SHIPPENSBURG PUMP CO., INC.

121 AWF Horizontal
 182, 184, 213 & 215 TC Frame
 Three Phase Flexible Coupled

DRAWN BY	DATE	REVISION
S.A.D.	6/07	.4
PARTS LIST #	PL-82135	
QUBE PART #	AWF21-1STG-S	



PARTS LIST			
NO.	DESCRIPTION	PART NO.	QTY.
1	MOTOR / BEARING HOUSING	TC/AM FRAME	1
2	MOTOR SHAFT		1
3	KEY (MOTOR SIDE)	PER MOTOR ORDERED	1
4	WATER SLINGER	SLINGER-SIWES9998	1
5	PUMP HEAD	HEAD-SDPH00060-1-A	1
6	HEAD GASKET (O-RING)	ORNG-SDP000089	1
7	MECHANICAL SEAL 1 1/8"	MOSSEAL-SDP500155-SV	1
8	SHAFT SLEEVE	SHTSLV-SDP000218	1
9	O-RING (SHAFT SLEEVE)	ORNG-SDP000051	2
10	IMPELLER	IMP-SDPH00600	1
11	CAPSCREW 1/2 x 1"	FRICP-HS9-0050C-0100-2	1
12	WEARING RING	WRWRNG-SDPWR0190	1
13	PUMP CASE	CASE-SDP000652	1
14	SUCTION HOUSING GASKET	ORNG-SDPG03829	1
15	SUCTION HOUSING	SUCHSG-SDPH00050-B	1
16	CAPSCREWS (MOTOR HOUSING)	FRICP-SHZ-0038C-0125-2	3
17	SUCTION GASKET	GASKET-SDPG03848	1
18	STUD (HEAD TO CASE)	FRSTUD-22-0038-0138-2	2
19	HEX NUT (HEAD TO CASE)	FRNUT-2HZ-0038C-2	2
20	CAPSCREWS (MOTOR TO HEAD)	FRICP-SHZ-0038C-0100-2	4
21	CAPSCREWS (MOTOR TO HEAD)	FRICP-SHZ-0038C-0125-2	4
22	KEY (IMPELLER)	KEYBAR-S8-025-OVR	1
23	IMPELLER WASHER	IMPWR-SDPWR00748	1
24	1/4" NIPPLE	NIPPLE-B-0025x350	1
25	1/4" FULL COUPLING	CLJ-FCB-0025	1
26	1/4" PIPE FITTING	PMFTG-R-MEL-038-025	1
27	1/4" PIPE PLUG	PP-PLUG50-SLD-B-0025	1
28	WEARING RING	WRWRNG-SDPWR0189	1
29	BEARING ASSEMBLY	BRHSG-SDPBH00689	1
30	KEY (PUMP SIDE)	KEYBAR-S8-025-OVR	1
31	MOUNTING BOLT		1
32	ADAPTOR ASSEMBLY	BRHSG-SDPH00587	1
33	WOODS COUPLING (PUMP SIDE)	PER MOTOR ORDERED	1
34	SURE-FLEX SLEEVE	PER MOTOR ORDERED	1
35	WOODS COUPLING (MOTOR)	PER MOTOR ORDERED	1
36	COUPLING GUARD SCREEN	BRHSG-GUARDSCREEN-S3333331	1