

# SHIPCO® PUMPS

MANUFACTURED BY  
SHIPPENSBURG PUMP COMPANY INC.  
P.O. Box 279 Shippensburg, Pa. 17257  
PHONE 717 532-7321 / FAX 717 532-7704  
WWW.SHIPCO.PUMPS.COM

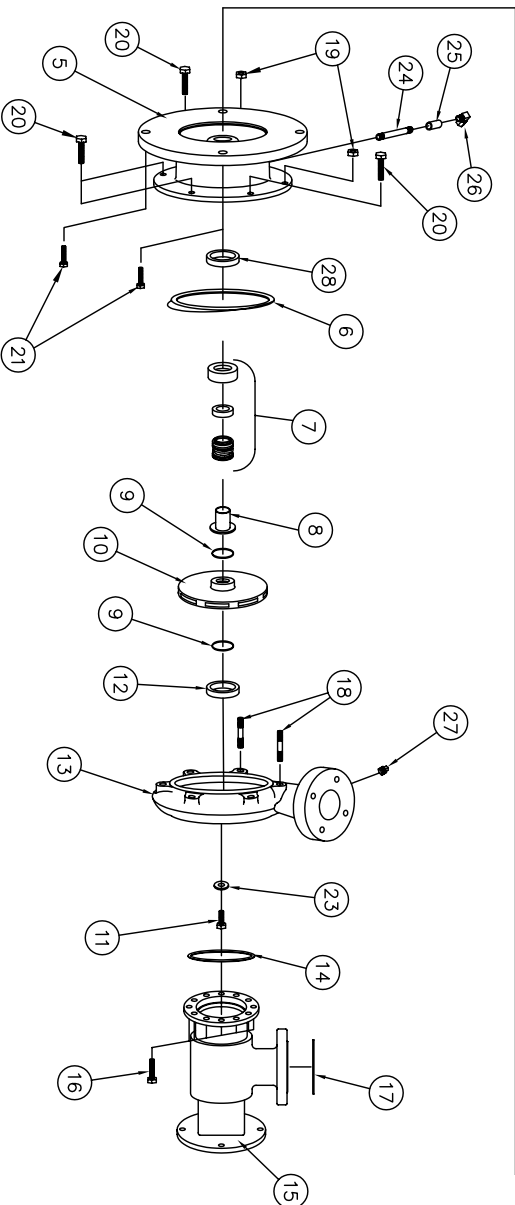
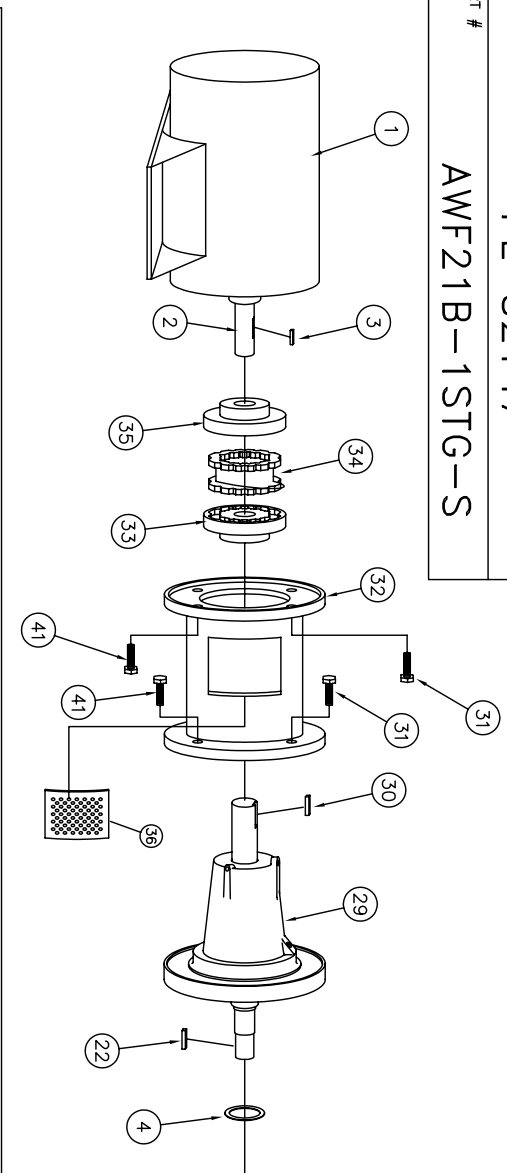
SHIPCO® IS A REGISTERED TRADEMARK OF SHIPPENSBURG PUMP CO., INC.

## 121 AWF-B Vertical & Horizontal 182, 184, 213 & 215TC Frame Three Phase Flexible Coupled

DRAWN BY S.A.D. DATE 6/07 REVISION .2

PARTS LIST # PL-82147

QUBE PART # AWF21B-1STG-S



PARTS LIST			
NO.	DESCRIPTION	PART NO.	QTY.
1	MOTOR / BEARING HOUSING	TC FRAME	1
2	MOTOR SHAFT		1
3	KEY (MOTOR SIDE)	PER MOTOR ORDERED	1
4	WATER SLINGER	SLINGER-SDWS99998	1
5	PUMP HEAD	HEAD-SDPH00060-1-A	1
6	HEAD GASKET (O-RING)	ORNG-SDP000089	1
7	MECHANICAL SEAL 1 1/8"	MCHSEAL-SDP500155-SV	1
8	SHAFT SLEEVE	SHTSLEE-SDP000218	1
9	"O" RING (SHAFT SLEEVE)	ORNG-SDP000051	2
10	IMPELLER	IMP-SDP000600	1
11	CAPSCREW 1/2 x 1"	FTRCF-HSB-0030C-0100-2	1
12	WEARING RING	WRGRNG-SDPW0190	1
13	PUMP CASE	CASE-SDPC00652	1
14	SUCTON HOUSING GASKET	ORNG-SDP903829	1
15	SUCTON HOUSING	SUCHSG-S3333376	1
16	CAPSCREWS (suction housing) 3/8 x 1 1/2"	FTRCF-SHZ-0038C-0125-2	12
17	SUCTON GASKET	FLG-ASA-SP15-GKT-0300	1
18	STUD	FTRSTUD-2Z-0038-0138-2	2
19	HEX NUT	FTRNUT-2HZ-0038C-2	2
20	CAPSCREWS (key to case) (key to case) 3/8 x 1 1/2"	FTRCF-SHZ-0038C-0100-2	4
21	CAPSCREWS (motor to head) 3/8 x 1 1/2"	FTRCF-SHZ-0038C-0125-2	4
22	KEY (IMPELLER)	KEYBAR-SB-025-OVR	1
23	IMPELLER WASHER	IMPWR-SDPRW0237	1
24	1/4" NIPPLE	NIPLE-B-0025x350	1
25	1/4" FULL COUPLING	CLP-FCB-0025	1
26	1/4" 90° FITTING	GMFTG-R-MEL-038-025	1
27	1/4" PIPE PLUG	PF-PLUGSQ-SLD-B-0025	1
28	WEARING RING	WRGRNG-SDPW0189	1
29	BEARING ASSEMBLY	BRGHSQ-SDPH00689	1
30	KEY (PUMP SIDE)	KEYBAR-SB-025-OVR	1
31	MOUNTING BOLT	-	1
32	ADAPTOR ASSEMBLY	BRGHSQ-SDPH00587	1
33	WOODS COUPLING (PUMP SIDE)	PER MOTOR ORDERED	1
34	SURE-FLEX SLEEVE	PER MOTOR ORDERED	1
35	WOODS COUPLING (MOTOR)	PER MOTOR ORDERED	1
36	COUPLING GUARD SCREEN	BRGHSQ-GUARDSCREEN-S3333331	1