

SHIPCO® SPUMPS

MANUFACTURED BY

SHIPPENSBURG PUMP COMPANY INC.

P. O. Box 279 Shippenburg, Pa. 17257

PHONE 717 532-7321 / FAX 717 532-7704

WWW.SHIPCO-PUMPS.COM

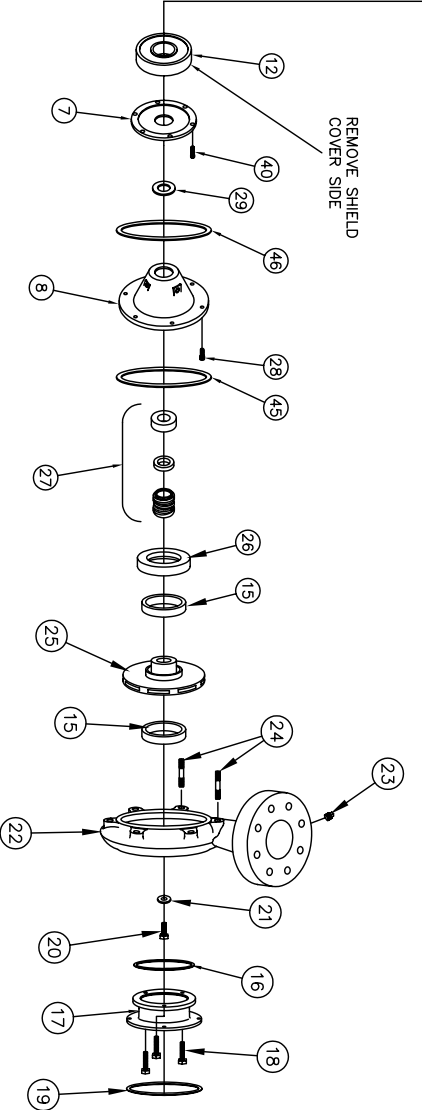
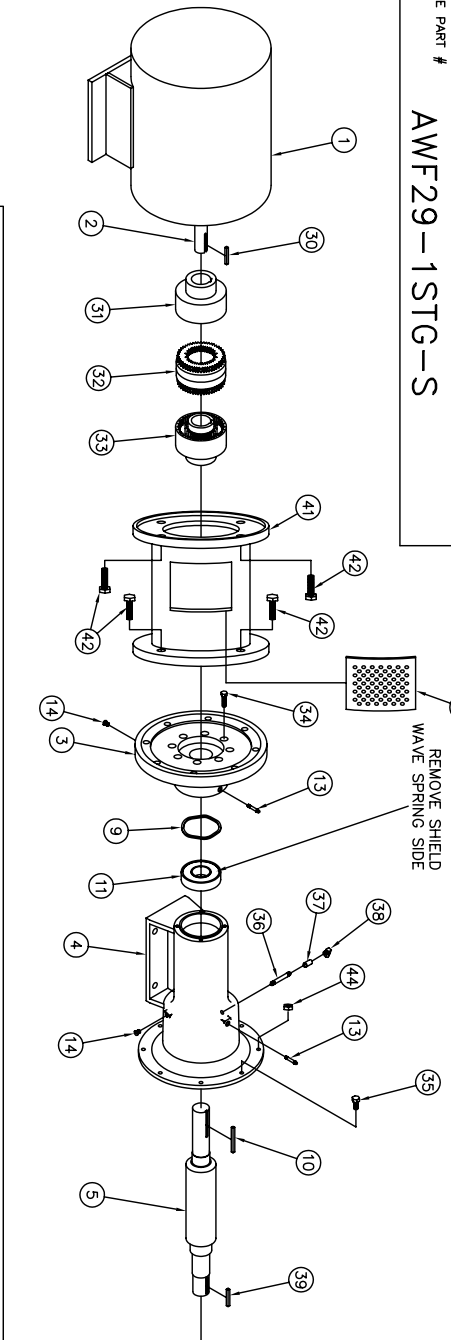
SHIPCO® IS A REGISTERED TRADEMARK OF SHIPPENSBURG PUMP CO., INC.

129 AWF Model Horizontal 184, 213, 215, 254 & 256 TC Frame Three Phase Flexible Coupled

DRAWN BY M.E.R. DATE 6/07 REVISION .5

PARTS LIST # PL-82955

AWF29-1STG-S



BEARING HOUSING ASSEMBLY SDBH00691

PARTS LIST

NO.	DESCRIPTION	PART NO.	QTY.
1	MOTOR / BEARING HOUSING	TC/JM FRAME	1
2	MOTOR SHAFT	BRHSG-SDP00634	1
3	COVER - IDLER BEARING	BRHSG-SDPBH00625	1
4	BEARING HOUSING	BRHSG-SDP500692	1
5	SHAFT - FLEX COUPLED	BRHSG-SDP00626	1
7	BEARING RETAINING COVER	BRHSG-SDP500627	1
8	SEAL CASING	BRHSG-WA5PRG-SSB-0394	1
9	WAVE SPRING	KEYBAR-S8-038-OVR	1
10	KEY (PUMP SIDE)	BRHSG-BRG-6309-2RS	1
11	BEARING	BRHSG-BRG-6314-ZZ	1
12	BEARING	GREASE-FTG ST	2
13	GREASE FITTING	GREASFT-RELIEF-0013	2
14	PRESSURE RELIEF VENT	WRGRING-SDPWR00653	2
15	WEARING RING	GASKET-SDP003836	1
16	SUCTION HOUSING GASKET	SUCHSG-SDPF00025	1
17	SUCTION HOUSING	FLG-ASA-SP15-GKT-0400	1
18	HEX SCREW	FTRCP-HS8-0038C-0100-2	1
19	SUCTION GASKET	IMPWHR-SDPRW00325	1
20	CAPSCREW	CASE-SDPC00501-B	1
21	IMPELLER WASHER	PF-PLUGSQ-SLD-B-0025	1
22	PUMP CASE	FTRSTUD-2P-0038C-0138-2	2
23	1/4" PIPE PLUG	IMP-SDP00661-D	1
24	STUD	WRGRING-SDPA00705	1
25	IMPELLER (1st STAGE)	MCHSAL-SDPS00698-SV	1
26	WEARING RING ADAPTOR	FTRCP-SKZ-0031C-0075-2	6
27	MECHANICAL SEAL 1 3/4"	SLINGER-SDMS99997	1
28	CAPSCREW	KEYBAR-S8-031-OVR	1
29	WATER SLINGER	FLEXCLP-SLVE-8JMS	1
30	KEY (MOTOR SIDE)	FLEXCLP-8S-0163-0038	1
31	WOODS COUPLING (MOTOR)	FTRCP-SKZ-0038C-0175-2	6
32	SURE-FLEX SLEEVE	FTRCP-SHZ-0038C-0075-2	6
33	WOODS COUPLING (PUMP SIDE)	NIPPLE-B-0025x250	1
34	CAPSCREW	CLP-FCB-0025	1
35	HEX SCREW	CPMFTG-R-MELL-038-025	1
36	1/4" NIPPLE	KEYBAR-S8-025-OVR	1
37	1/4" FULL COUPLING	FTRCP-SKZ-0025C-0050-2	6
38	1/4" 90° COMPRESSION FITTING	BRHSG-S3333350	1
39	KEY (IMPELLER)	FTRCP-SHZ-0050C-0125-2	12
40	CAPSCREW	BRHSG-S3333354	1
41	COUPLING GUARD	FTRNUT-SHZ-0038C-2	2
42	MOUNTING BOLT	ORING-SDP000083	1
43	COUPLING GUARD SCREEN	ORING-SDP000728	1
44	HEX NUT		
45	HEAD GASKET (O-RING)		
46	O-RING		