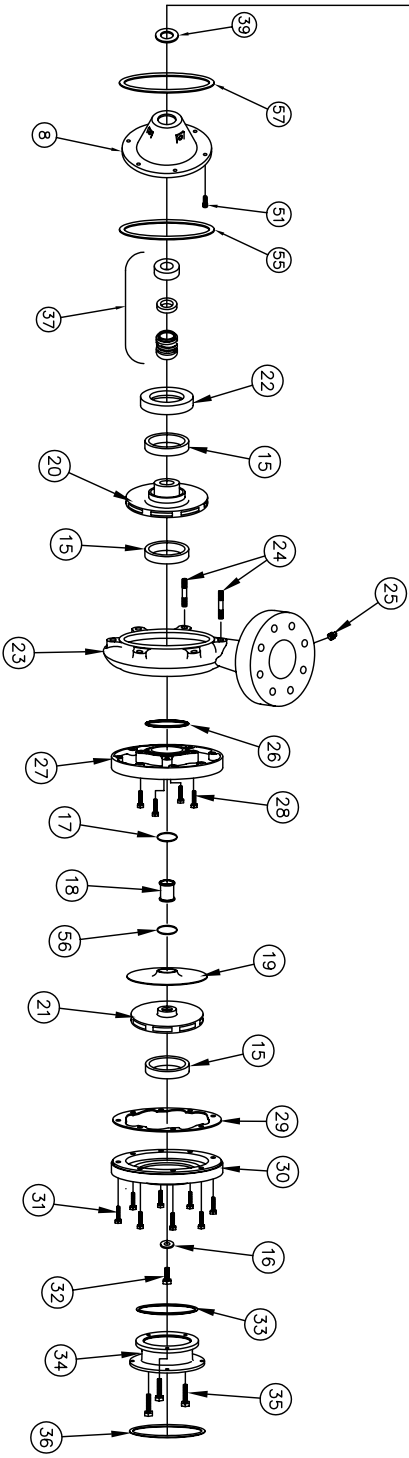
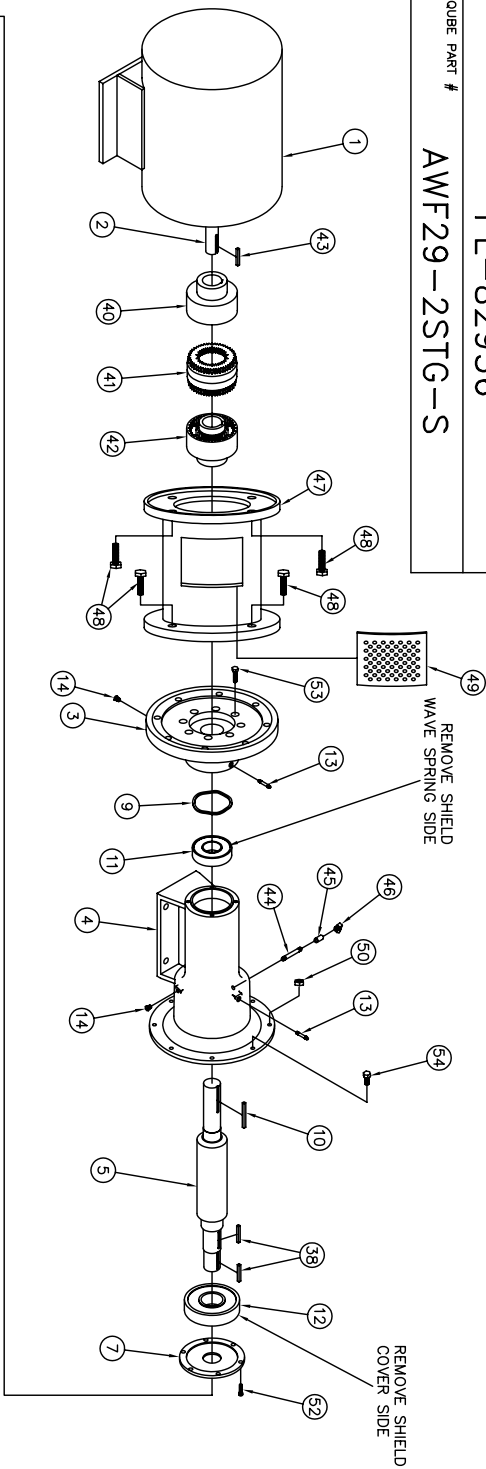


SHIPCO® SPUMPS

MANUFACTURED BY
 SHIPPENSBURG PUMP COMPANY INC.
 P.O. Box 279 Shippenburg, Pa. 17257
 PHONE 717 532-7321 / FAX 717 532-7704
 WWW.SHIPCO-PUMPS.COM
 SHIPCO® IS A REGISTERED TRADEMARK OF SHIPPENSBURG PUMP CO., INC.

229 AWF Model Horizontal 254 & 256 TC Frame Three Phase Flexible Coupled

DRAWN BY	M.E.R.	DATE	6/07	REVISION	.5
PARTS LIST #	AWF29-2STG-S				



BEARING HOUSING ASSEMBLY SDPBH006933

PARTS LIST

NO.	DESCRIPTION	PART NO.	QTY.
1	MOTOR / BEARING HOUSING	TC/P FRAME	1
2	MOTOR SHAFT	BRCHSG-SDP006634	1
3	COVER - IDLER BEARING	BRCHSG-SDPBH00625	1
4	BEARING HOUSING	BRCHSG-SDP500694	1
5	SHAFT - FLEX COUPLED	BRCHSG-SDP006634	1
7	BEARING RETAINING COVER	BRCHSG-SDP006626	1
8	SEAL CASING	BRCHSG-SDP500627	1
9	WAVE SPRING	BRCHSG-WAYSPPRC-S58-0394	1
10	KEY (PUMP SIDE) 3/8 x 3	KEYBAR-S8-038-OVR	1
11	BEARING	BRCHSG-BRG-6309-2RS	1
12	BEARING	BRCHSG-BRG-6314-ZZ	1
13	GREASE FITTING	GREASE-FTG ST	2
14	PRESSURE RELIEF VENT	GRFASFT-RELIEF-0013	2
15	WEARING RING	WRGRING-SDPWR00653	3
16	IMPELLER WASHER	IMPWHR-SDPRW0237	1
17	O-RING (1st PASSAGE SLEEVE)	ORING-SDP000211	1
18	SLEEVE (1st PASSAGE)	SHSLV-SDP000251	1
19	DIVIDER PLATE	DIVPLT-SDPP0252	1
20	IMPELLER (2nd STAGE)	IMP-SDP00661-C	1
21	IMPELLER (1st STAGE)	IMP-SDP00661-A	1
22	WEARING RING ADAPTOR	WRGRING-SDPA00705	1
23	PUMP CASE	CASE-SDP000501-B	1
24	STUD (W/2 TO CASE) 3/8 x 1.3/8	FTMS1UD-28-0038C-0138-2	2
25	1/4" PIPE PLUG	PP-PLUGSC-SLD-B-0025	1
26	O-RING	ORING-SDP000087	1
27	TWO-STAGE 2nd PASSAGE	PASSAGE-SDPP00254	1
28	CAPSCREW (2nd STAGE TO CASE) 5/16 x 1 1/2	FRPC-5KZ-0038C-0100-2	4
29	GASKET (1st to 2nd Passage)	GASKET-SDPG03882	1
30	TWO-STAGE 1st PASSAGE	PASSAGE-SDP00253-A	1
31	HEX SCREW (1st to 2nd Passage) 3/8 x 1 3/4	FRPC-5HZ-0038C-0175-2	8
32	CAPSCREW 1/2 x 1"	FRPC-H58-0050C-0100-2	1
33	SUCTION HOUSING GASKET	GASKET-SDPG03836	1
34	SUCTION HOUSING	SUCHSG-SDPF00025	1
35	HEX SCREW (Suction Housing) 5/8 x 1 1/2	FRPC-5HZ-0038C-0125-2	3
36	SUCTION GASKET	FLG-ASA-SP15-CR1-0400	1
37	MECHANICAL SEAL 1 3/4"	MCHSEAL-SDP00698-SV	1
38	KEY (IMPELLER) 1/4 x 1 3/4	KEYBAR-S8-025-OVR	2
39	WATER SLINGER	SUNGER-SDMS99997	1
40	WOODS COUPLING (MOTOR)	FLEXCP-85-0163-0038	1
41	SURE-FLEX SLEEVE	FLEXCP-SLVE-BUNS	1
42	WOODS COUPLING (PUMP SIDE)	FLEXCP-85-0163-0038	1
43	KEY (MOTOR SIDE) 3/8 x 2 1/2	KEYBAR-S8-038-OVR	1
44	1/4" NIPPLE	NIPPLE-B-0025x250	1
45	1/4" FULL COUPLING	CLP-FGB-0025	1
46	1/4" OR COMPRESSION FITTING	CPMTG-R-MELL-038-025	1
47	COUPLING GUARD	BRCHSG-S333350	1
48	MOUNTING BOLT	FRPC-5HZ-0050C-0125-2	12
49	COUPLING GUARD SCREEN	BRCHSG-S333354	1
50	HEX NUT 3/8	FRNUT-5HZ-0038C-2	2
51	CAPSCREW (SEAL CASE TO HOUSING) 5/16 x 3/4	FRPC-5KZ-0031C-0075-2	2
52	CAPSCREW (COVER TO HOUSING) 5/16 x 3/4	FRPC-5KZ-0025C-0050-2	6
53	CAPSCREW (COVER TO HOUSING) 3/8 x 1 3/4	FRPC-5KZ-0038C-0175-2	6
54	HEX SCREW (MOUNTING TO VENT) 5/8 x 1 3/4	FRPC-5HZ-0038C-0075-2	6
55	HEAD GASKET (O-RING)	ORING-SDP000083	1
56	O-RING	ORING-SDP000052	1
57	O-RING (1st PASSAGE SLEEVE)	ORING-SDP000278	1