

SHIPCO® SPUMPS

MANUFACTURED BY

SHIPPENSBURG PUMP COMPANY INC.

P. O. Box 279 Shippenburg, Pa. 17257

PHONE 717 532-7321 / FAX 717 532-7704

WWW.SHIPCO-PUMPS.COM

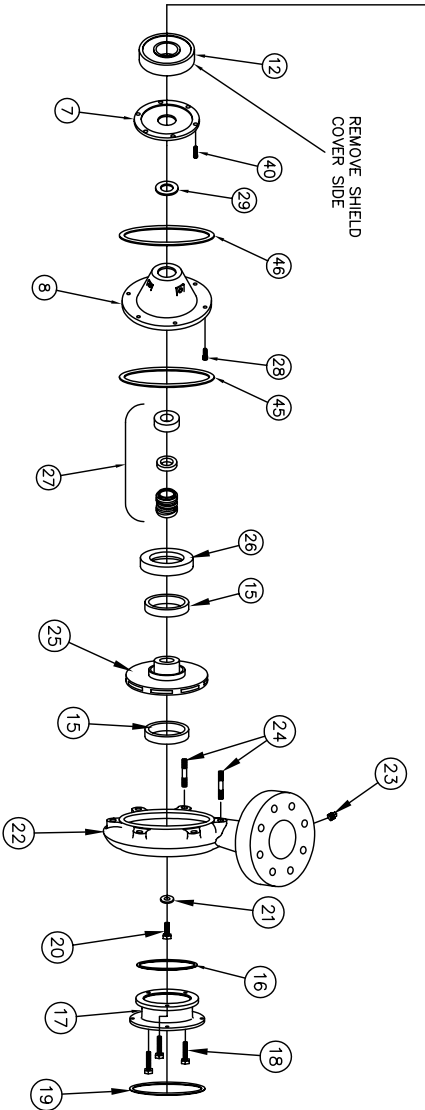
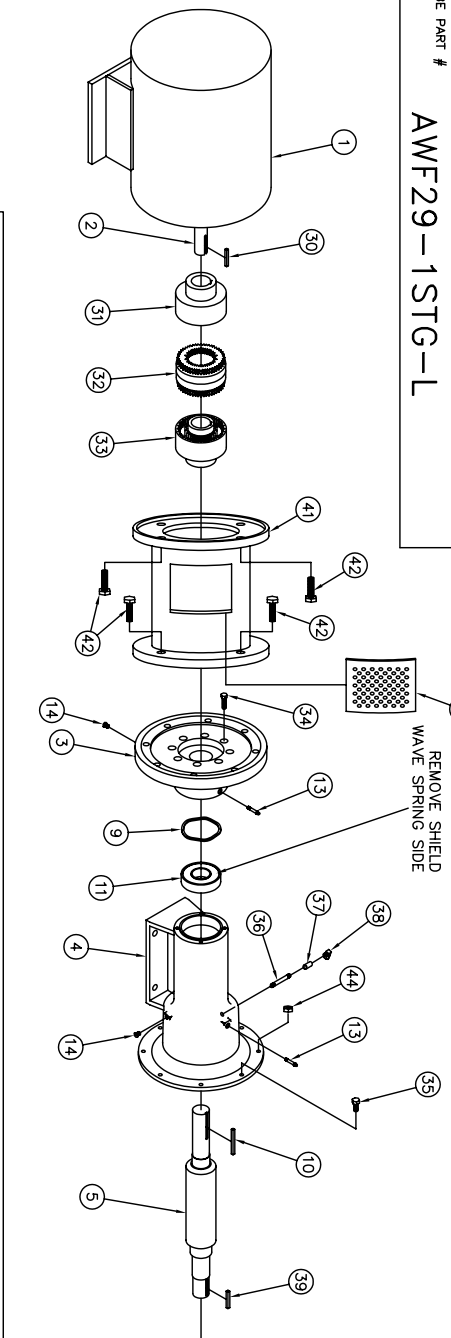
SHIPCO® IS A REGISTERED TRADEMARK OF SHIPPENSBURG PUMP CO., INC.

129 AWF Model Horizontal 284 & 286 TSC Frame Three Phase Flexible Coupled

DRAWN BY M.E.R. DATE 6/07 REVISION .4

PARTS LIST # PL-82965

AWF29-1STG-L



BEARING HOUSING ASSEMBLY SDBBH00691

PARTS LIST			
NO.	DESCRIPTION	PART NO.	QTY.
1	MOTOR / BEARING HOUSING	TSC/JM FRAME	1
2	MOTOR SHAFT		1
3	COVER - IDLER BEARING	BRHSG-SDP00634	1
4	BEARING HOUSING	BRHSG-SDPBH00625	1
5	SHAFT - FLEX COUPLED	BRHSG-SDP500692	1
7	BEARING RETAINING COVER	BRHSG-SDP000626	1
8	SEAL CASING	BRHSG-SDP500627	1
9	WAVE SPRING	BRHSG-WAVSPRG-SSB-0394	1
10	KEY (PUMP SIDE)	KEYBAR-S8-038-0VR	1
11	BEARING	BRHSG-BRG-6309-2RS	1
12	BEARING	BRHSG-BRG-6314-ZZ	1
13	GREASE FITTING	GREASE-FTG ST	2
14	PRESSURE RELIEF VENT	GREASFT-RELIF-.0013	2
15	WEARING RING	WRGRING-SDPWRM00653	2
16	SUCTION HOUSING GASKET	GASKET-SDPG03836	1
17	SUCTION HOUSING	SUHGSG-SDPF00025	1
18	HEX SCREW	FLG-ASA-SP15-GKT-0400	3
19	SUCTION GASKET	FLG-ASA-SP15-GKT-0400	1
20	CAPSCREW	FLG-ASA-SP15-GKT-0400	1
21	IMPELLER WASHER	IMPWHR-SDPRW00325	1
22	PUMP CASE	CASE-SDPC00501-B	1
23	1/4" PIPE PLUG	PF-PLUGSQ-SLD-B-0025	1
24	STUD	FTRSTUD-2P-0038C-0138-2	2
25	IMPELLER (1st STAGE)	IMP-SDP00661-D	1
26	WEARING RING ADAPTOR	WRGRING-SDPA00705	1
27	MECHANICAL SEAL 1 3/4"	MCHSEAL-SDPS00698-SV	1
28	CAPSCREW	FLG-ASA-SP15-GKT-0400	6
29	WATER SLINGER	SLNGER-SDWS99997	1
30	KEY (MOTOR SIDE)	KEYBAR-S8-056-0VR	1
31	WOODS COUPLING (MOTOR)	FLEXCLP-8S-0163-0038	1
32	SURE-FLEX SLEEVE	FLEXCLP-SLVE-8JMS	1
33	WOODS COUPLING (PUMP SIDE)	FLEXCLP-8S-0163-0038	1
34	CAPSCREW	FLG-ASA-SP15-GKT-0400	6
35	HEX SCREW	FLG-ASA-SP15-GKT-0400	6
36	1/4" NIPPLE	NIPPLE-B-0025x250	1
37	1/4" FULL COUPLING	CLP-FCB-0025	1
38	1/4" 90° COMPRESSION FITTING	CPMFTG-R-MELL-038-025	1
39	KEY (IMPELLER)	KEYBAR-S8-025-0VR	1
40	CAPSCREW	FLG-ASA-SP15-GKT-0400	6
41	COUPLING GUARD	BRHSG-S3333351	1
42	MOUNTING BOLT	FLRCP-5HZ-0050C-0125-2	12
43	COUPLING GUARD SCREEN	BRHSG-S3333355	1
44	HEX NUT	FLRNUIT-5HZ-0038C-2	2
45	HEAD GASKET (O-RING)	ORING-SDP000083	1
46	O-RING	ORING-SDP000728	1