

SHIPCO® SPUMPS

MANUFACTURED BY

SHIPPENSBURG PUMP COMPANY INC.

P.O. Box 279 Shippenburg, Pa. 17257

PHONE 717 532-7321 / FAX 717 532-7704

WWW.SHIPCO-PUMPS.COM

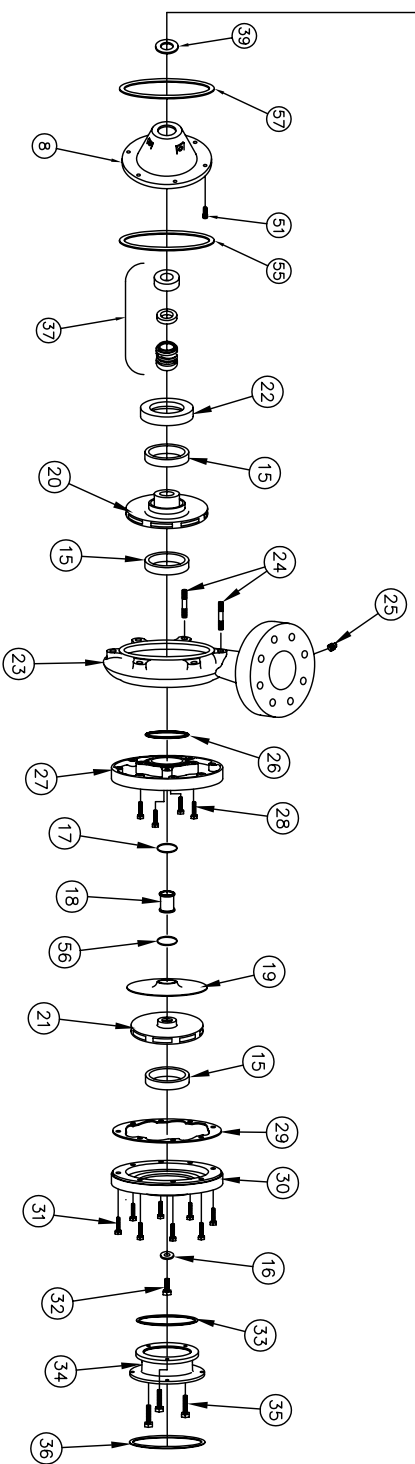
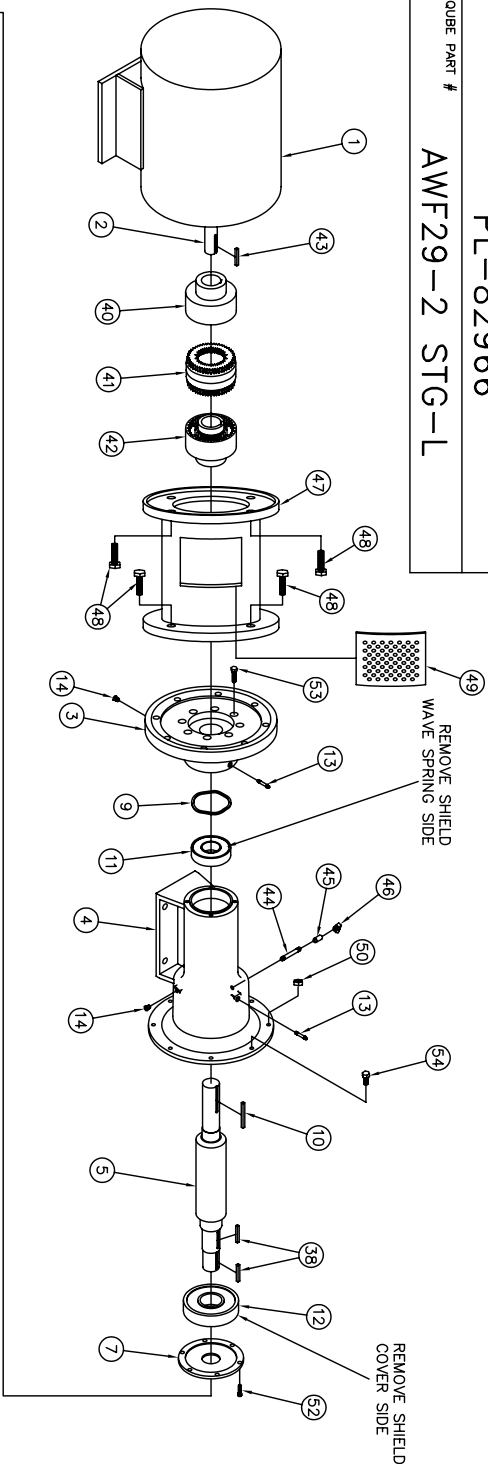
SHIPCO® IS A REGISTERED TRADEMARK OF SHIPPENSBURG PUMP CO., INC.

229 AWF Model Horizontal 284 & 286 TSC Frame Three Phase Flexible Coupled

DRAWN BY M.E.R. DATE 3/07 REVISION .3

PARTS LIST # PL-82966

CUBE PART # AWF29-2 STG-L



PARTS LIST

NO.	DESCRIPTION	PART NO.	QTY.
1	MOTOR / BEARING HOUSING	TSC/AP FRAME	1
2	MOTOR SHAFT	BRCHSG-SDP000634	1
3	COVER - IDLER BEARING	BRCHSG-SDPBH00625	1
4	BEARING HOUSING	BRCHSG-SDP500694	1
5	SHAFT - FLEX COUPLED	BRCHSG-SDP000626	1
6	BEARING RETAINING COVER	BRCHSG-SDP500627	1
7	SEAL CASING	BRCHSG-WAYSPPRC-S58-0394	1
8	WAVE SPRING	KETBAR-S8-038-OVR	1
9	KEY (PUMP SIDE) 3/8" x 3	BRCHSG-BRG-6309-2RS	1
10	BEARING	BRCHSG-BRG-6314-ZZ	1
11	BEARING	GREASE-FTG ST	2
12	GREASE FITTING	GREASFIT-RELIEF-0013	2
13	PRESSURE RELIEF VENT	WRGRING-SDPWR00653	3
14	WEARING RING	IMPWHR-SDPRW0237	1
15	WEARING RING	ORING-SDP000211	1
16	IMPELLER WASHER	SHTSLVE-SDP000251	1
17	O-RING (1st PASSAGE SLEEVE)	DIVPLT-SDPP0252	1
18	SLEEVE (1st PASSAGE)	IMP-SDP00061-C	1
19	DIVIDER PLATE	IMP-SDP00061-A	1
20	IMPELLER (2nd STAGE)	WRGRING-SDPA00705	1
21	IMPELLER (1st STAGE)	CASE-SDP000501-B	1
22	WEARING RING ADAPTOR	FTMS1TD-2B-0038C-0138-2	2
23	PUMP CASE	PF-PLUSGSC-SLD-B-0025	1
24	STUD (W/2 TO CASE) 3/8" x 1 3/8	ORING-SDP000087	1
25	1/4" PIPE PLUG	PASSAGE-SDPP00254	1
26	O-RING	FRPC-5KZ-0038C-0100-2	4
27	TWO-STAGE 2nd PASSAGE	FRPC-5KZ-0038C-0100-2	1
28	CAPSCREW (2nd STAGE TO CASE)	GASKET-SDPG03882	1
29	GASKET (1st to 2nd PASSAGE)	PASSAGE-SDP00253-A	1
30	TWO-STAGE 1st PASSAGE	FRPC-5HZ-0038C-0175-2	8
31	HEX SCREW (1st TO 2nd PASSAGE) 3/8" x 1 3/4	FRPC-H58-0050C-0100-2	1
32	CAPSCREW 1/2" x 1"	GASKET-SDPG03836	1
33	SUCTION HOUSING GASKET	SUCHSG-SDPF00025	1
34	SUCTION HOUSING	FRPC-5HZ-0038C-0125-2	3
35	HEX SCREW (SUPPORT HOUSING)	FLG-ASA-SP15-CRT-0400	1
36	SUCTION GASKET	MCHSEAL-SDP00698-SV	1
37	MECHANICAL SEAL 1 3/4"	KETBAR-S8-025-OVR	2
38	KEY (IMPELLER) 1/4" x 1 3/4	SUNGER-SDMS99997	1
39	WATER SLINGER	FLEXCLP-95-0163-0038	1
40	WOODS COUPLING (MOTOR)	FLEXCLP-SLVE-8UNS	1
41	SURE-FLEX SLEEVE	FLEXCLP-95-0163-0038	1
42	WOODS COUPLING (PUMP SIDE)	KETBAR-S8-050-OVR	1
43	KEY (MOTOR SIDE) 1/2" x 3	NIPPLE-B-0025x250	1
44	1/4" NIPPLE 1/4" x 2 1/2	CLP-FGB-0025	1
45	1/4" FULL COUPLING	CPMTG-R-MELL-038-025	1
46	1/4" OR COMPRESSION FITTING	BRCHSG-S333351	1
47	COUPLING GUARD	FRPC-5HZ-0050C-0125-2	12
48	MOUNTING BOLT	BRCHSG-S333355	1
49	COUPLING GUARD SCREEN	FRNUTJ-5HZ-0038C-2	2
50	HEX NUT 3/8"	FRPC-5KZ-0038C-0075-2	6
51	CAPSCREW (SEAL CASE TO HOUSING) (COVER TO HOUSING)	FRPC-5KZ-0025C-0050-2	6
52	CAPSCREW (COVER TO HOUSING) (COVER TO HOUSING)	FRPC-5KZ-0038C-0175-2	6
53	CAPSCREW (COVER TO HOUSING) (COVER TO HOUSING)	FRPC-5HZ-0038C-0075-2	6
54	HEX SCREW (MOUNTING TO VENT)	ORING-SDP000083	1
55	HEAD GASKET (O-RING)	ORING-SDP000052	1
56	O-RING (1st PASSAGE SLEEVE)	ORING-SDP000728	1
57	O-RING		1

BEARING HOUSING ASSEMBLY SDPBH00693