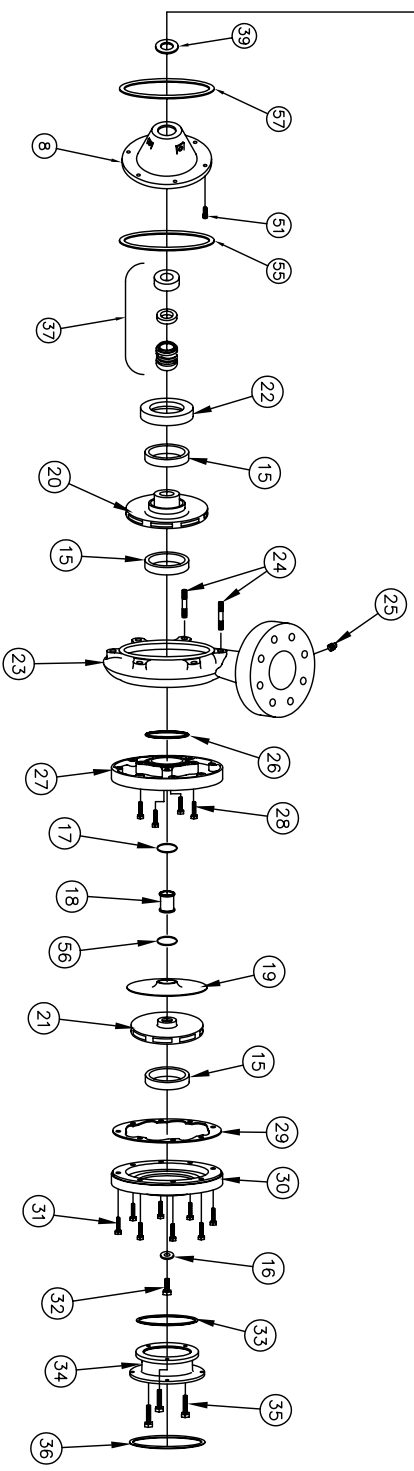
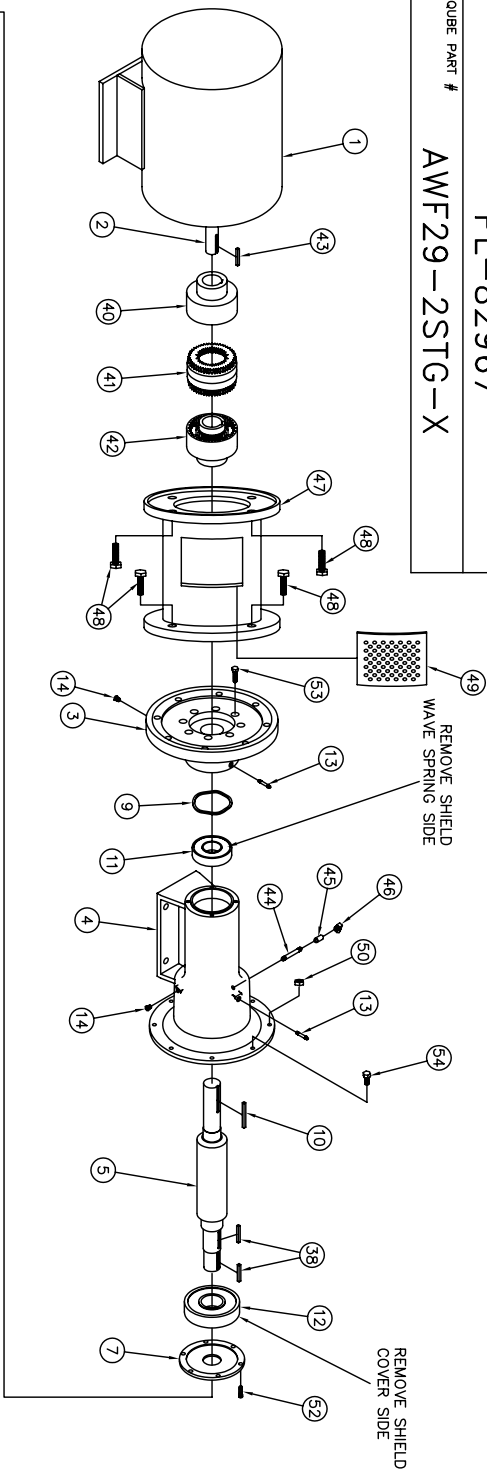


SHIPCO® SPUMPS

MANUFACTURED BY
 SHIPPENSBURG PUMP COMPANY INC.
 P.O. Box 279 Shippenburg, Pa. 17257
 PHONE 717 532-7321 / FAX 717 532-7704
 WWW.SHIPCO-PUMPS.COM
 SHIPCO® IS A REGISTERED TRADEMARK OF SHIPPENSBURG PUMP CO., INC.

229 AWF Model Horizontal 324, 326 & 364 TSC Frame Three Phase Flexible Coupled

DRAWN BY M.E.R. DATE 6/07 REVISION .4
 PARTS LIST # PL-82967
 QUBET PART # AWF29-2STG-X



PARTS LIST

NO.	DESCRIPTION	PART NO.	QTY.
1	MOTOR / BEARING HOUSING	TSC/JP FRAME	1
2	MOTOR SHAFT	BRCHSG-SDP000634	1
3	COVER - IDLER BEARING	BRCHSG-SDPBH00625	1
4	BEARING HOUSING	BRCHSG-SDP500694	1
5	SHAFT - FLEX COUPLED	BRCHSG-SDP000626	1
7	BEARING RETAINING COVER	BRCHSG-SDP500627	1
8	SEAL CASING	BRCHSG-WAYSPPRC-SSB-0394	1
9	WAVE SPRING	KETBAR-SB-03B-OVR	1
10	KEY (PUMP SIDE) 3/8 x 3	BRCHSG-BRG-6309-2RS	1
11	BEARING	BRCHSG-BRG-6314-ZZ	1
12	BEARING	GREASE-FTG ST	2
13	GREASE FITTING	GREASFIT-RELIEF-0013	2
14	PRESSURE RELIEF VENT	WRGRING-SDPWR00653	3
15	WEARING RING	IMPWHR-SDPRW00630	1
16	IMPELLER WASHER	IMP-SDP000211	1
17	O-RING (1st PASSAGE SLEEVE)	SHTSLVE-SDP000251	1
18	SLEEVE (1st PASSAGE)	DIVPLT-SDPP00252	1
19	DIVIDER PLATE	IMP-SDP000661-C	1
20	IMPELLER (2nd STAGE)	IMP-SDP000661-A	1
21	IMPELLER (1st STAGE)	WRGRING-SDPA00705	1
22	WEARING RING ADAPTOR	CASE-SDP000501-B	1
23	PUMP CASE	FTRCP-5HZ-0038C-013B-2	2
24	FLANGE TO CASE	PF-PLUGSSC-SLD-B-0025	1
25	1/4" PIPE FLUG	ORING-SDP000087	1
26	O-RING	PASSAGE-SDPP00254	1
27	TWO-STAGE 2nd PASSAGE	FTRCP-5HZ-0038C-0100-2	4
28	CAPSCREW (2nd STAGE TO CASE)	GASKET-SDPG03882	1
29	GASKET (1st to 2nd PASSAGE)	PASSAGE-SDP00253-A	1
30	TWO-STAGE 1st PASSAGE	FTRCP-5HZ-0038C-0175-2	8
31	HEX SCREW (1st to 2nd PASSAGE)	FTRCP-HSB-0050C-0100-2	1
32	CAPSCREW 1/2 x 1"	ORING-SDP000087	1
33	O-RING	SUCHSG-SDPF00025	1
34	SUCTION HOUSING	FTRCP-5HZ-0038C-0125-2	3
35	HEX SCREW (Suction Housing)	FLG-ASA-SP15-CRT-0400	1
36	SUCTION GASKET	MCHSEAL-SDP500698-SV	1
37	MECHANICAL SEAL 1 3/4"	KETBAR-SB-025-OVR	2
38	KEY (IMPELLER) 1/4 x 1 3/4	SUNGER-SDMS99997	1
39	WATER SLINGER	FLEXCLP-10S-018B-0050	1
40	WOODS COUPLING (MOTOR)	FLEXCLP-SLVE-10ANS	1
41	SURE-FLEX SLEEVE	FLEXCLP-10S-0183-0038	1
42	WOODS COUPLING (PUMP SIDE)	KETBAR-SB-050-OVR	1
43	KEY (MOTOR SIDE) 1/2 x 3/2	NIPPLE-B-0025x250	1
44	1/4" NIPPLE 1/4 x 2 1/2	CLP-FGB-0025	1
45	1/4" FULL COUPLING	CPMFTG-R-MELL-03B-025	1
46	1/4" OR COUPLING GUARD	BRCHSG-5333352	1
47	COUPLING GUARD	FTRCP-5HZ-0050C-0125-2	16
48	MOUNTING BOLT	BRCHSG-5333356	1
49	COUPLING GUARD SCREEN	FTRNUT-5HZ-0038C-2	2
50	HEX NUT 3/8	FTRCP-5HZ-0031C-0075-2	2
51	CAPSCREW (SEAL CASING TO HOUSING)	FTRCP-5HZ-0025C-0050-2	6
52	CAPSCREW (COVER TO HOUSING)	FTRCP-5HZ-0038C-0175-2	6
53	CAPSCREW (COVER TO HOUSING)	FTRCP-5HZ-0038C-0175-2	6
54	HEX SCREW (MOUNTING TO YALUTE)	ORING-SDP000083	1
55	HEAD GASKET (O-RING)	ORING-SDP000052	1
56	O-RING (1st PASSAGE SLEEVE)	ORING-SDP000728	1
57	O-RING		1

BEARING HOUSING ASSEMBLY SDPBH006933