

# SHIPCO® SPUMPS

MANUFACTURED BY

SHIPPENSBURG PUMP COMPANY INC.

P. O. Box 279 Shippensburg, Pa. 17257

PHONE 717 532-7321 / FAX 717 532-7704

WWW.SHIPCO-PUMPS.COM

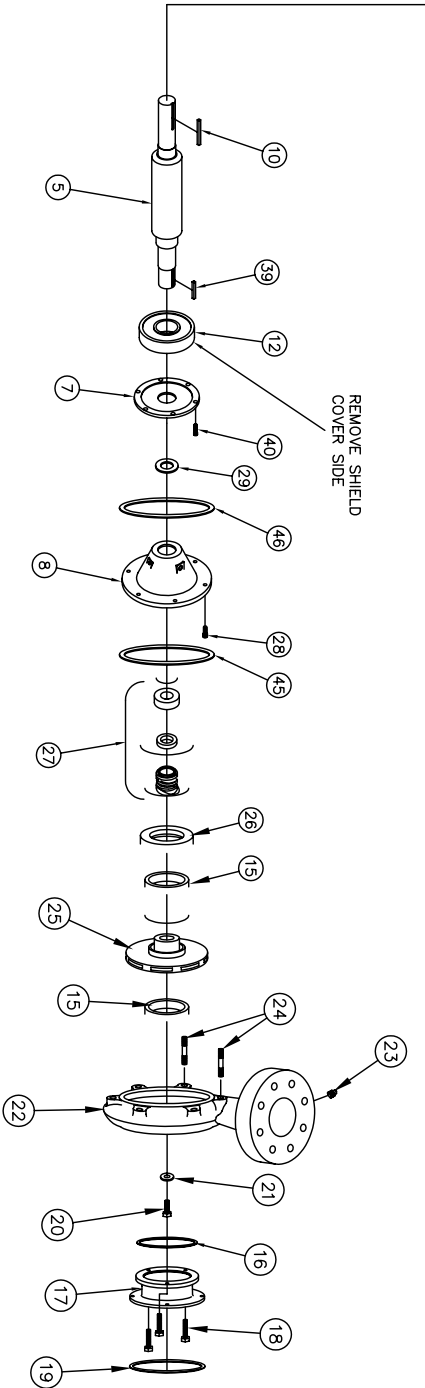
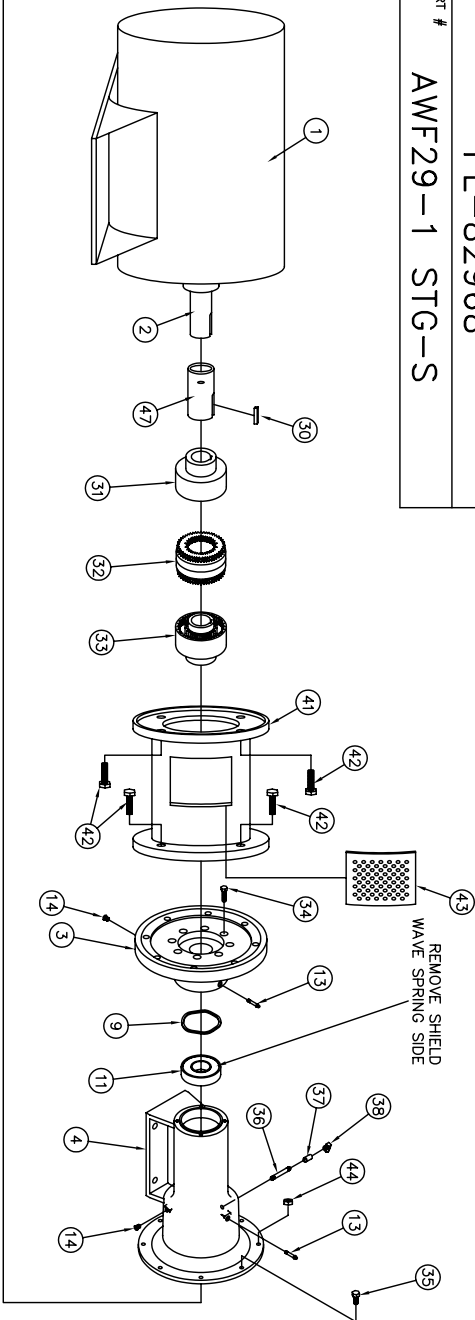
SHIPCO® IS A REGISTERED TRADEMARK OF SHIPPENSBURG PUMP CO., INC.

## 129 AWF Model Horizontal TC 182 Frame Three Phase Flexible Coupled

DRAWN BY S.A.D. DATE 2/07 REVISION .0

PARTS LIST # PL-82968

AWF29-1 STG-S



BEARING HOUSING ASSEMBLY SDBH00691

### PARTS LIST

NO.	DESCRIPTION	PART NO.	QTY.
1	MOTOR / BEARING HOUSING	TC/JM FRAME	1
2	MOTOR SHAFT	BRHSG-SDP00634	1
3	COVER - IDLER BEARING	BRHSG-SDBPH00625	1
4	BEARING HOUSING	BRHSG-SDP500692	1
5	SHAFT - FLEX COUPLED	BRHSG-SDP00626	1
7	BEARING RETAINING COVER	BRHSG-SDP500627	1
8	SEAL CASING	BRHSG-WAVSPRG-SSB-0394	1
9	WAVE SPRING	KEYBAR-S8-038-OVR	1
10	KEY (PUMP SIDE)	BRHSG-BRG-6309-2RS	1
11	BEARING	BRHSG-BRG-6314-ZZ	1
12	BEARING	GREASE-FTG ST	2
13	GREASE FITTING	GREASFTI-RELIEF-.0013	2
14	PRESSURE RELIEF VENT	WRGRING-SDPWR00653	2
15	WEARING RING	GASKET-SDPG03836	1
16	SUCTION HOUSING GASKET	SUCHSG-SDPF00025	1
17	SUCTION HOUSING	FLG-ASA-SPI5-GKI-0400	1
18	HEX SCREW	FLG-ASA-SPI5-GKI-0400	1
19	SUCTION GASKET	IMPWHR-SDRPW00325	1
20	CAPSCREW	CASE-SDP00501-B	1
21	IMPELLER WASHER	PF-PLUGSQ-SLD-B-0025	1
22	PUMP CASE	FTRSTUD-2P-0038C-0138-2	2
23	1/4" PIPE PLUG	IMP-SDP100661-D	1
24	STUD	WRGRING-SDPRA00705	1
25	IMPELLER (1st STAGE)	MCHSEAL-SDP500698-T	1
26	WEARING RING ADAPTOR	FLTRCP-SKZ-0031C-0075-2	6
27	MECHANICAL SEAL 1 3/4"	SLINGER-SDMS99997	1
28	CAPSCREW	KEYBAR-S8-031-OVR	1
29	WATER SLINGER	FLEXQLP-7S-0138-0031	1
30	KEY (MOTOR SIDE)	FLEXQLP-SLVE-7JNS	1
31	WOODS COUPLING (MOTOR)	FLEXQLP-7S-0163-0038	1
32	SURE-FLEX SLEEVE	CAPSCREW (BODY 5/8 x 1 1/2)	6
33	WOODS COUPLING (PUMP SIDE)	FLTRCP-SKZ-0038C-0175-2	6
34	CAPSCREW	FLTRCP-SKZ-0038C-0075-2	6
35	HEX SCREW	NIPPLE-B-0025x250	1
36	1/4" NIPPLE	CLP-FCB-0025	1
37	1/4" FULL COUPLING	CPMFTG-R-MELL-038-025	1
38	1/4" 90° COMPRESSION FITTING	KEYBAR-S8-025-OVR	1
39	KEY (IMPELLER)	FLTRCP-SKZ-0025C-0050-2	6
40	CAPSCREW (COVER TO HOUSING)	BRHSG-S3333350	1
41	COUPLING GUARD	FLTRCP-SHZ-0050C-0125-2	12
42	MOUNTING BOLT	BRHSG-S3333354	1
43	COUPLING GUARD SCREEN	FTRNUT-SHZ-0038C-2	2
44	HEX NUT	ORING-SDP000083	1
45	HEAD GASKET (O-RING)	ORING-SDP000728	1
46	O-RING	SHTSLVE-S3333359	1
47	SHAFT EXTENSION		1