

SHIPCO® PUMPS

MANUFACTURED BY

SHIPPENSBURG PUMP COMPANY INC.

P.O. Box 279 Shippenburg, Pa. 17257

PHONE 717 532-7321 / FAX 717 532-7704

WWW.SHIPCO-PUMPS.COM

SHIPCO® IS A REGISTERED TRADEMARK OF SHIPPENSBURG PUMP CO., INC.

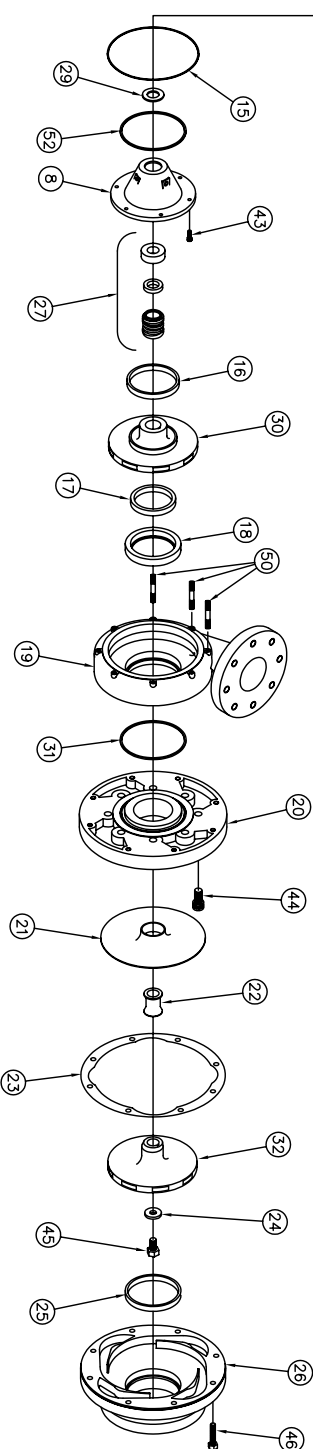
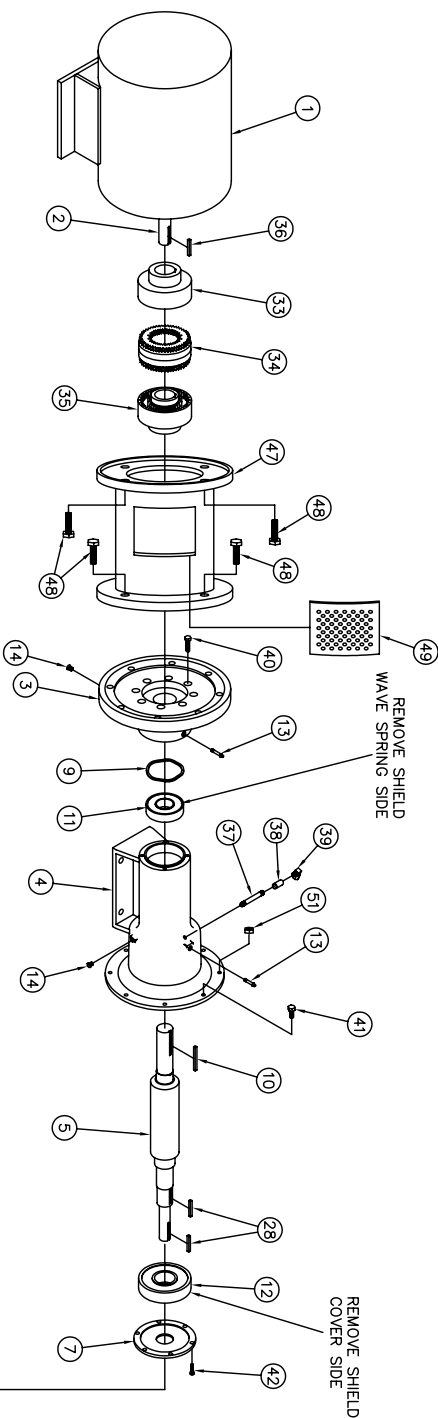
231 AWF Model Horizontal 444 TSC Frame

Three Phase Flexible Coupled

DRAWN BY M.E.R. DATE 6/07 REVISION .4

PARTS LIST # PL-83125

AWF31-2STG-ZZ



BEARING HOUSING ASSEMBLY SDBBH00697

PARTS LIST

NO.	DESCRIPTION	PART NO.	QTY.
1	MOTOR / BEARING HOUSING	TSC/JUP FRAME	1
2	MOTOR SHAFT		1
3	COVER - IDLER BEARING	BRHSG-SDP000634	1
4	BEARING HOUSING	BRHSG-SDPH000625	1
5	SHAFT - FLEX COUPLED	BRHSG-SDP000632	1
7	BEARING RETAINING COVER	BRHSG-SDP000626	1
8	SEAL CASING	BRHSG-SDP000627	1
9	WAVE SPRING	BRHSG-WAVSPRC-SSB-0394	1
10	KEY (PUMP SIDE) 3/8 x 3	KEYBAR-S8-038-OVR	1
11	BEARING	BRHSG-BRG-6309-2RS	1
12	BEARING	BRHSG-BRG-6314-ZZ	1
13	GREASE FITTING	GREASE-FTG-ST	2
14	PRESSURE RELIEF VENT	GREASFIT-RELIEF-0013	2
15	O-RING	ORING-SDP000083	1
16	WEARING RING	WRGRING-SDFWR00628	1
17	WEARING RING	WRGRING-SDFWR00016	1
18	WEAR RING ADAPTER	WRGRING-SDFWR00623	1
19	VOLUTE CASE	CASE-SDP000620	1
20	2nd PASSAGE	PASSAGE-SDP000621	1
21	DIVIDER PLATE	DIVPLT-SDP000629	1
22	SPACER SLEEVE	SPACER-SDP000631	1
23	GASKET (1st to 2nd PASS.)	GASKET-SDP000385	1
24	IMPELLER WASHER	IMPWR-SDPWR000630	1
25	WEARING RING	WRGRING-SDFWR00624	1
26	SUCTION HOUSING	PASSAGE-SDFWR00622	1
27	MECHANICAL SEAL 1 3/4"	MCHSEAL-SDP000698-TV	1
28	KEY (IMPELLER) 1/4 x 1 3/4	KEYBAR-S8-025-OVR	2
29	WATER SLINGER	SLINGER-SDWS99997	1
30	IMPELLER (2nd STAGE)	IMP-SDP100019-1	1
31	O-RING	ORING-SDP000696	1
32	IMPELLER MIXING VANE	IMP-SDP1000575-A	1
33	WOODS COUPLING (MOTOR)	FLEXCLP-11S-0238-0050	1
34	SURE-FLEX SLEEVE	FLEXCLP-SLVE-11JNS	1
35	WOODS COUPLING (PUMP SIDE)	FLEXCLP-11S-0163-0038	1
36	KEY (MOTOR SIDE) 5/8 x 2 3/4	KEYBAR-S8-063-OVR	1
37	1/4" NIPPLE 1/4 x 2 1/2	NIPPLE-B-0025x250	1
38	1/4" FULL COUPLING	CLP-FGB-0025	1
39	1/4" 90° COMPRESSION FITTING	CPMFTG-R-MELL-038-025	1
40	CAPSCREW (COVERS TO HOUSING) (COVERS 3/8 x 3/4) (NUTS)	FTRCP-SKZ-0038C-0175-2	6
41	HEX SCREW (WOODS TO HOUSING)	FTRCP-SHZ-0038C-0075-2	5
42	CAPSCREW (COVERS TO HOUSING)	FTRCP-SKZ-0025C-0050-2	6
43	CAPSCREW (SEAL 5/8 x 3/4) (HOUSING)	FTRCP-SKZ-0031C-0075-2	6
44	CAPSCREW (2nd to 1st PASSAGE)	FTRCP-SKZ-0075C-0150-2	8
45	HEX SCREW (COVERS 3/8 x 3/4)	FTRCP-SHZ-0050C-0075-2	1
46	HEX SCREW (SUCTION TO PASSAGE)	FTRCP-SHZ-0050C-0300-2	8
47	COUPLING GUARD	BRHSG-S333353	1
48	MOUNTING BOLT	FTRCP-SHZ-0050C-0125-2	16
49	COUPLING GUARD SCREEN	BRHSG-S333357	1
50	STUD (HOUSING TO VOLUME) (HOUSING 3/8 x 1 3/8)	FTRSTUD-ZP-0038C-0138-2	3
51	HEX NUT (HOUSING TO VOLUME)	FTRNUT-SHZ-0038C-2	3
52	O-RING	ORING-SDP000728	1